

# G4 ULTRA LOW PROFILE UNIT COOLER

**EDEN**<sup>®</sup>  
*The Cool Solution*



UPM - Medium Temperature Application  
Capacity: 1.02kW to 15.10kW

UPM PD6 - Partial Defrost Application  
(Room Temp: +2°C to -6°C)  
Capacity: 0.97kW to 11.87kW

UPL - Low Temperature Application  
Capacity: 0.85kW to 7.48kW

UPLLT6 - Low Temperature Application (6FPI)  
Capacity: 0.97kW to 9.73kW

Effective Air Throw: 12.0m to 14.5m

# G4 Ultra Low Profile Series Unit Cooler

## UPM / UPM PD6 / UPL / UPL LT6

### General Features

**Coils** are designed with the Latest Smart Circuitry. It allows maximum massflow rate of refrigerant to be evenly distributed throughout the evaporator, maximizing coil efficiency thus providing higher efficiency and capacity with a smaller physical unit cooler dimension.

**Copper Tubes** are accordance with JIS. C12T. Inner Groove Tube (IGT) increases the internal coil surface, having a low oil film coefficient thus providing higher efficiency and capacity.

**Casing** comes in high quality powder coated Aluminum, according to AA 1100 Standard. Centre plates are built in to enhance air side performance and structural strength for models with 2 or more fans.

**Compact design** reduces unit cooler volume to enhance cold room productivity by not giving up the capacity.

**Defrosting** is by electrical sheathed stainless steel heater elements fitted with molded insulated connection and ultra low temperature silicone leads (rated to -80°C), to ensure effective defrosting and durability. Water resulting from defrosting is channeled to the drain pan with a centrally positioned outlet for positive draining from all points.

**Fins** are produced from high-grade Aluminum (Aluminum Association - AA 1100 Standard) with Double Sine Wave Pattern and Rippled Fin Edges to provide higher heat transfer efficiency.

**Fan Motors** used in all the models are high quality German brand motors, fitted with thermistor motor protection and conform to DIN 40050 safety standards. Fan motors are of the highest quality offered in the industry ensuring long life and durability for both high and low temperature application.

**Capacity Ratings** are thermally guaranteed by Eden and tested in accordance to ASHRAE dry box standards.

**Quality Assurance** for all Eden products are designed, manufactured and tested in our factories that are ISO9001 certified.

**One Year Warranty** for all Eden Heat Exchanger products (Terms and conditions apply).

### Options

- Copper-Fins Coil (Available only for 6FPI models)
- Epoxy-Coated Aluminum Fin Coil (Only on large volume orders)
- Passivated Corrosion Protection For All Aluminum Fin Products
- Hot Gas Bypass



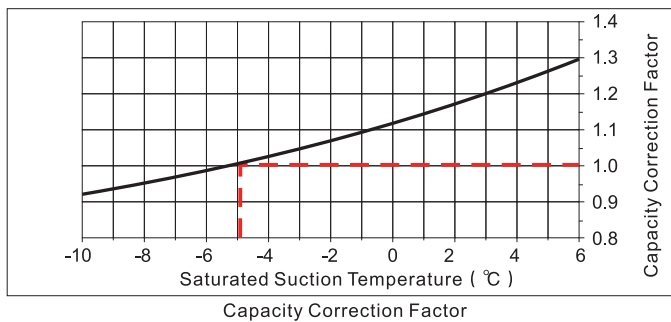
# G4 Ultra Low Profile Series Unit Cooler UPM / UPM PD6 / UPL / UPL LT6

## UPM - Ultra Low Profile Series Unit Cooler Specifications

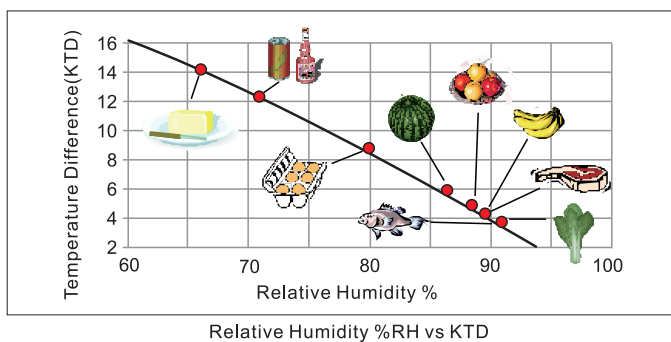
Air Defrost 6FPI Room Temperature +3°C

Model	Capacity R22				No. of Fan 250mm	Fan Data						
	ASHRAE		EUROVENT SC2*			Fan Motor			Fan Speed	Air Flow		Air Throw (m)
	Watts	Btu/hr	Watts	Btu/hr		(V/Ph/Hz)	(Watts)	(Amps)	(rpm)	(L/s)	(m³/h)	
	8 KTD	14.4 FTD	8 KTD	14.4 FTD								
UPM 0102	1,020	3,480	1,114	3,802	1	230/1/50	42	0.19	1,400	289	1040	12.6
UPM 0145	1,450	4,948	1,584	5,405	1	230/1/50	42	0.19	1,400	277	997	12.4
UPM 0189	1,890	6,449	2,065	7,045	1	230/1/50	42	0.19	1,400	268	965	12.3
UPM 0213	2,130	7,268	2,327	7,940	1	230/1/50	42	0.19	1,400	250	900	12.0
UPM 0274	2,740	9,349	2,993	10,214	2	230/1/50	84	0.38	1,400	578	2080	12.9
UPM 0380	3,800	12,966	4,152	14,166	2	230/1/50	84	0.38	1,400	554	1994	12.7
UPM 0465	4,650	15,866	5,080	17,334	2	230/1/50	84	0.38	1,400	536	1930	12.5
UPM 0570	5,700	19,449	6,227	21,248	2	230/1/50	84	0.38	1,400	500	1800	12.2
UPM 0623	6,230	21,258	6,806	23,224	2	230/1/50	84	0.38	1,400	480	1728	12.0
UPM 0735	7,350	25,079	8,030	27,399	3	230/1/50	126	0.57	1,400	804	2895	14.1
UPM 0851	8,510	29,037	9,297	31,723	3	230/1/50	126	0.57	1,400	750	2700	13.9
UPM 0947	9,470	32,313	10,346	35,302	3	230/1/50	126	0.57	1,400	720	2592	13.7
UPM 1172	11,720	39,990	12,804	43,689	4	230/1/50	168	0.76	1,400	1000	3600	14.4
UPM 1320	13,200	45,040	14,421	49,206	4	230/1/50	168	0.76	1,400	960	3456	14.2
UPM 1510	15,100	51,523	16,497	56,289	5	230/1/50	210	0.95	1,400	1200	4320	14.5

## Application & Correction Factor Guideline



Refrigerant	Capacity Multiplier
R22	1.00
R407B	0.95
R407C	0.93
R134A	0.975
R404A	0.989
R507	0.989
R407F	1.00



Products	Storage Temperature (°C)	Recommended RH %
Apple	1.5	87%
Banana	5.0	88%
Dairy Product	2.0	65%
Egg, Shell	5.0 to 6.0	80%
Fish, Fresh	0 to 1.0	90 - 95%
Beef, Fresh	0 to 1.0	88 - 92%
Chicken	-1.0 to 1.0	95%
Watermelon	3.0 to 5.0	85%
Vegetables	1.0 to 2.0	90 - 95%
Bottle/Can Drink	3.0 to 4.0	70%

### Capacity Ratings & Conditions

All Eden Heat Exchangers are tested in accordance to ASHRAE Dry Box Standard. (Recommended for Asia usage)

\*EUROVENT Data is used for Comparison Purposes

\*EUROVENT Data is based on SC2 Nominal Capacity

SC2 Condition - Air Inlet Temperature = 0°C and Evaporating Temperature = -8°C

# G4 Ultra Low Profile Series Unit Cooler

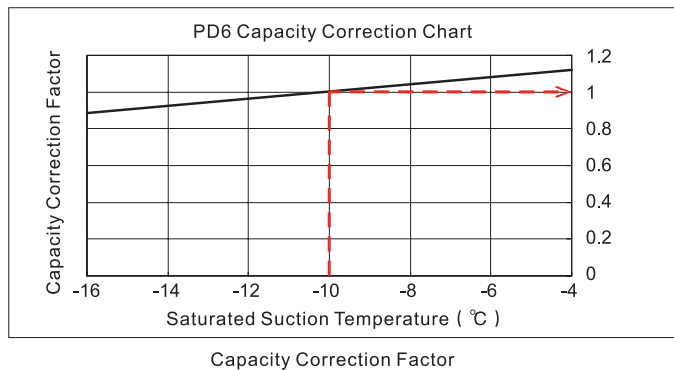
## UPM / UPM PD6 / UPL / UPL LT6

### UPM PD6 - Ultra Low Profile Series Unit Cooler Specifications

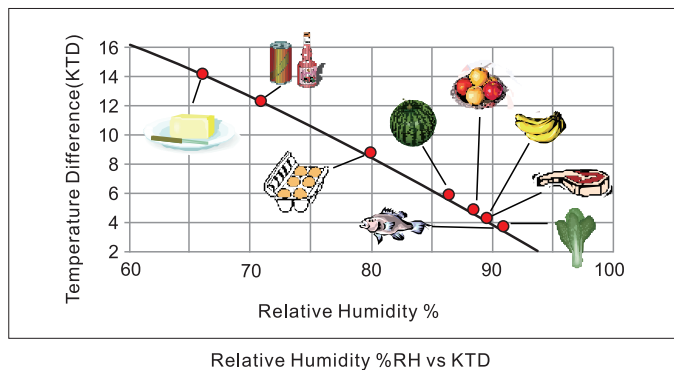
Electric Defrost 6FPI Room Temperature -4°C

Model	Capacity R22				No. of Fan 250mm	Fan Data						Heater Data		
	ASHRAE		EUROVENT SC2*			Fan Motor			Fan Speed	Air Flow		Air Throw (m)	Coil Heater (Watts)	Drain Pan Heater (Watts)
	Watts	Btu/hr	Watts	Btu/hr		(V/Ph/Hz)	(Watts)	(Amps)	(rpm)	(L/s)	(m³/h)			
UPM 0097 PD6	970	3,310	1,484	5,064	1	230/1/50	42	0.19	1,400	277	997	12.7	1x780	1x550
UPM 0139 PD6	1,390	4,743	2,127	7,257	1	230/1/50	42	0.19	1,400	268	965	12.5	1x780	1x550
UPM 0148 PD6	1,480	5,050	2,264	7,726	1	230/1/50	42	0.19	1,400	250	900	12.3	1x780	1x550
UPM 0282 PD6	2,820	9,622	4,315	14,722	2	230/1/50	84	0.38	1,400	554	1994	13.0	1 x 1353	1 x 833
UPM 0343 PD6	3,430	11,704	5,248	17,907	2	230/1/50	84	0.38	1,400	536	1930	12.8	1 x 1353	1 x 833
UPM 0428 PD6	4,280	14,604	6,548	22,344	2	230/1/50	84	0.38	1,400	500	1800	12.7	1 x 1353	1 x 833
UPM 0477 PD6	4,770	16,276	7,298	24,902	2	230/1/50	84	0.38	1,400	480	1728	12.5	1 x 1353	1 x 833
UPM 0533 PD6	5,330	18,187	8,155	27,826	3	230/1/50	126	0.57	1,400	804	2895	13.5	1 x 1900	1 x 833
UPM 0624 PD6	6,240	21,292	9,547	32,576	3	230/1/50	126	0.57	1,400	750	2700	13.3	1 x 1900	1 x 833
UPM 0710 PD6	7,100	24,226	10,863	37,066	3	230/1/50	126	0.57	1,400	720	2592	13.0	1 x 1900	1 x 833
UPM 0855 PD6	8,550	29,174	13,082	44,636	4	230/1/50	168	0.76	1,400	1000	3600	13.8	1 x 2506	1 x 833
UPM 0954 PD6	9,540	32,552	14,596	49,804	4	230/1/50	168	0.76	1,400	960	3456	13.6	1 x 2506	1 x 833
UPM 1187 PD6	11,870	40,502	18,161	61,968	5	230/1/50	210	0.95	1,400	1200	4320	14.0	1 x 3111	1 x 1022

### Application & Correction Factor Guideline



Refrigerant	Capacity Multiplier
R22	1.00
R407B	0.95
R407C	0.93
R134A	0.975
R404A	0.989
R507	0.989
R407F	1.00



Products	Storage Temperature (°C)	Recommended RH %
Apple	1.5	87%
Banana	5.0	88%
Dairy Product	2.0	65%
Egg, Shell	5.0 to 6.0	80%
Fish, Fresh	0 to 1.0	90 - 95%
Beef, Fresh	0 to 1.0	88 - 92%
Chicken	-1.0 to 1.0	95%
Watermelon	3.0 to 5.0	85%
Vegetables	1.0 to 2.0	90 - 95%
Bottle/Can Drink	3.0 to 4.0	70%

### Capacity Ratings & Conditions

All Eden Heat Exchangers are tested in accordance to ASHRAE Dry Box Standard. (Recommended for Asia usage)

\*EUROVENT Data is used for Comparison Purposes

\*EUROVENT Data is based on SC2 Nominal Capacity

SC2 Condition - Air Inlet Temperature = 0°C and Evaporating Temperature = -8°C



# G4 Ultra Low Profile Series Unit Cooler

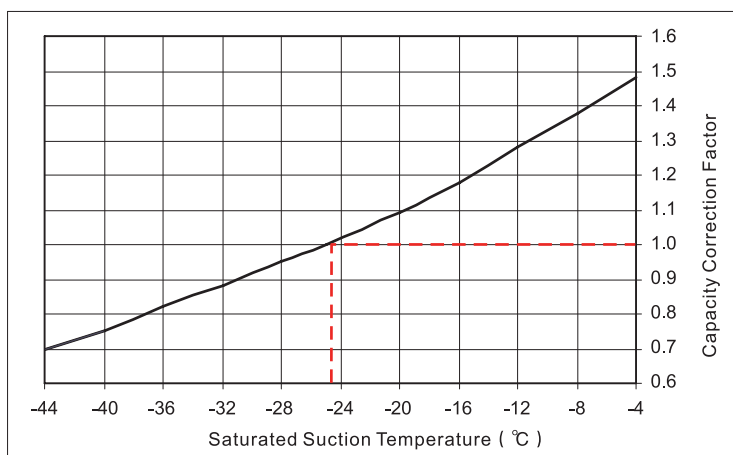
## UPM / UPM PD6 / UPL / UPL LT6

### UPL - Ultra Low Profile Series Unit Cooler Specifications

Electric Defrost 4FPI Room Temperature -19°C

Model	Capacity R22				No. of Fan 250mm	Fan Data						Heater Data		
	ASHRAE		EUROVENT SC3*			Fan Motor			Fan Speed	Air Flow		Air Throw (m)	Coil Heater (Watts)	Drain Pan Heater (Watts)
	Watts	Btu/hr	Watts	Btu/hr		(V/Ph/Hz)	(Watts)	(Amps)	(rpm)	(L/s)	(m³/h)			
	6 KTD	10.8 FTD	7 KTD	12.6 FTD										
UPL 0085	850	2,900	1,041	3,553	1	230/1/50	42	0.19	1,400	280	1008	12.8	1x780	1x550
UPL 0098	980	3,344	1,200	4,096	1	230/1/50	42	0.19	1,400	273	983	12.6	1x780	1x550
UPL 0113	1,130	3,856	1,384	4,723	1	230/1/50	42	0.19	1,400	248	893	12.5	1x780	1x550
UPL 0145	1,450	4,948	1,776	6,061	2	230/1/50	84	0.38	1,400	584	2102	13.1	1 x 1353	1 x 833
UPL 0177	1,770	6,039	2,168	7,398	2	230/1/50	84	0.38	1,400	560	2016	13.0	1 x 1353	1 x 833
UPL 0209	2,090	7,131	2,560	8,736	2	230/1/50	84	0.38	1,400	546	1966	12.9	1 x 1353	1 x 833
UPL 0255	2,550	8,701	3,124	10,659	2	230/1/50	84	0.38	1,400	496	1786	12.7	1 x 1353	1 x 833
UPL 0296	2,960	10,100	3,626	12,372	3	230/1/50	126	0.57	1,400	840	3024	13.5	1 x 1900	1 x 833
UPL 0364	3,640	12,420	4,459	15,215	3	230/1/50	126	0.57	1,400	819	2949	13.3	1 x 1900	1 x 833
UPL 0412	4,120	14,058	5,047	17,221	3	230/1/50	126	0.57	1,400	744	2679	13.2	1 x 1900	1 x 833
UPL 0483	4,830	16,481	5,917	20,189	4	230/1/50	168	0.76	1,400	1092	3932	13.8	1 x 2506	1 x 833
UPL 0565	5,650	19,279	6,921	23,616	4	230/1/50	168	0.76	1,400	992	3572	13.6	1 x 2506	1 x 833
UPL 0655	6,550	22,350	8,024	27,378	5	230/1/50	210	0.95	1,400	1365	4915	14.2	1 x 3111	1 x 1022
UPL 0748	7,480	25,523	9,163	31,265	5	230/1/50	210	0.95	1,400	1240	4465	14.0	1 x 3111	1 x 1022

### Application & Correction Factor Guideline



Capacity Correction Factor

Refrigerant	Capacity Multiplier
R22	1.00
R407B	0.95
R407C	0.93
R134A	0.975
R404A	0.989
R507	0.989
R407F	1.00

#### Capacity Ratings & Conditions

All Eden Heat Exchangers are tested in accordance To ASHRAE Dry Box Standard. (Recommended for Asia usage)

\*EUROVENT Data is used for Comparison Purposes

\*EUROVENT Data is based on SC3 Nominal Capacity

SC3 Condition - Air Inlet Temperature = -18°C and Evaporating Temperature = -25°C

# G4 Ultra Low Profile Series Unit Cooler

## UPM / UPM PD6 / UPL / UPL LT6

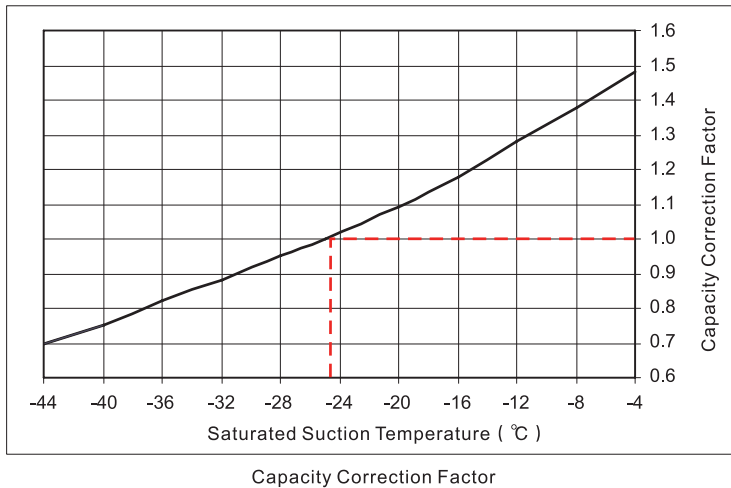
### UPL LT6 - Ultra Low Profile Series Unit Cooler Specifications

Electric Defrost 6FPI Room Temperature -19°C

Model	Capacity R22				No. of Fans 250mm	Fan Data						Heater Data		
	ASHRAE		EUROVENT SC3*			Fan Motor			Fan Speed	Air Flow		Air Throw (m)	Coil Heater (Watts)	Drain Pan Heater (Watts)
	Watts	Btu/hr	Watts	Btu/hr		(V/Ph/Hz)	(Watts)	(Amps)	(rpm)	(L/s)	(m³/h)			
	6 KTD	10.8 FTD	7 KTD	12.6 FTD										
UPL 0097 LT6	970	3,310	1,188	4,054	1	230/1/50	42	0.19	1400	268	965	12.8	1 x 780	1 x 550
UPL 0134 LT6	1,340	4,572	1,642	5,601	1	230/1/50	42	0.19	1400	250	900	12.6	1 x 780	1 x 550
UPL 0144 LT6	1,440	4,913	1,764	6,019	1	230/1/50	42	0.19	1400	240	864	12.4	1 x 780	1 x 550
UPL 0225 LT6	2,250	7,677	2,756	9,405	2	230/1/50	84	0.38	1400	554	1994	13.4	1 x 1353	1 x 833
UPL 0271 LT6	2,710	9,247	3,320	11,327	2	230/1/50	84	0.38	1400	536	1930	13.2	1 x 1353	1 x 833
UPL 0330 LT6	3,300	11,260	4,043	13,794	2	230/1/50	84	0.38	1400	480	1728	13.0	1 x 1353	1 x 833
UPL 0453 LT6	4,530	15,457	5,549	18,935	3	230/1/50	126	0.57	1400	750	2700	13.8	1 x 1900	1 x 833
UPL 0524 LT6	5,240	17,880	6,419	21,903	3	230/1/50	126	0.57	1400	720	2592	13.6	1 x 1900	1 x 833
UPL 0616 LT6	6,160	21,019	7,546	25,748	4	230/1/50	168	0.76	1400	1000	3600	14.0	1 x 2506	1 x 833
UPL 0718 LT6	7,180	24,499	8,796	30,011	4	230/1/50	168	0.76	1400	960	3456	13.2	1 x 2506	1 x 833
UPL 0973 LT6	9,730	33,200	11,919	40,670	5	230/1/50	210	0.95	1400	1250	4500	14.3	1 x 3111	1 x 1022

## 5

### Application & Correction Factor Guideline



Refrigerant	Capacity Multiplier
R22	1.00
R407B	0.95
R407C	0.93
R134A	0.975
R404A	0.989
R507	0.989
R417A	0.91

#### Capacity Ratings & Conditions

All Eden Heat Exchangers are tested in accordance to ASHRAE Dry Box Standard. (Recommended for Asia usage)

\*EUROVENT Data is used for Comparison Purposes

\*EUROVENT Data is based on SC3 Nominal Capacity

SC3 Condition - Air Inlet Temperature = -18°C and Evaporating Temperature = -25°C

# G4 Ultra Low Profile Series Unit Cooler

## UPM / UPM PD6 / UPL / UPL LT6

### Technical Specification

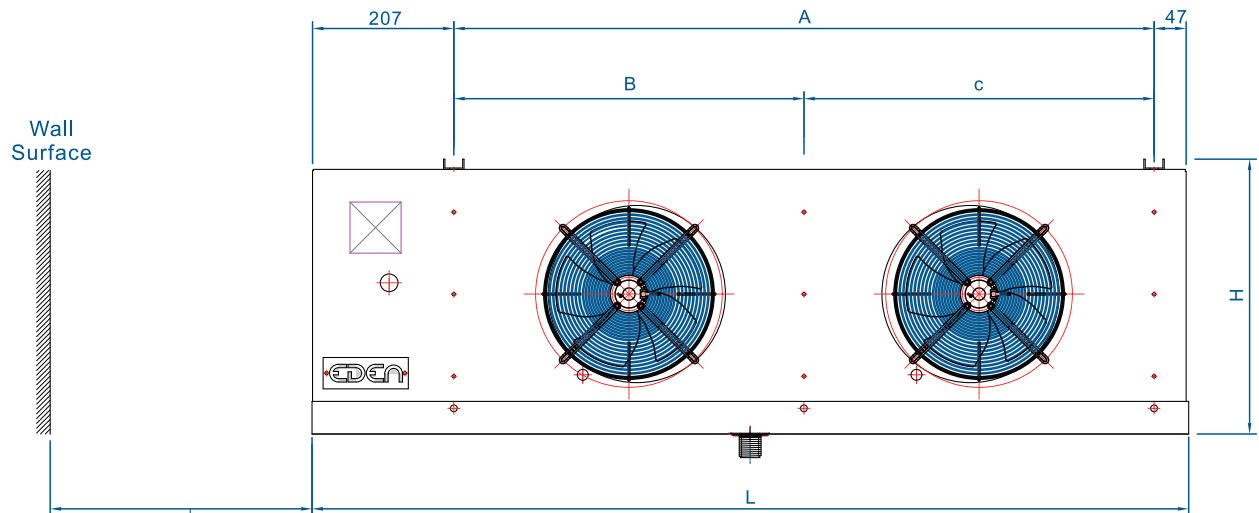
Model	Size (mm)									Nett Weight (kg)	Weight (kg)*	Liquid Connection (mm)	Suction Connection (mm)	Drain Pipe (mm)
	A	B	C	H	W	L	H*	W*	L*					
UPM 0102	528	-	-	406	255	786	575	480	890	15.1	29.3	12.7	22.2	25.4
UPM 0145	528	-	-	406	255	786	575	480	890	15.8	30.1	12.7	22.2	25.4
UPM 0189	528	-	-	406	255	786	575	480	890	16.5	30.9	12.7	22.2	25.4
UPM 0213	528	-	-	406	255	786	575	480	890	16.9	31.2	12.7	22.2	25.4
UPM 0274	1,028	-	-	406	255	1,286	575	480	1,390	17.4	32.3	12.7	22.2	25.4
UPM 0380	1,028	-	-	406	255	1,286	575	480	1,390	20.0	34.7	12.7	22.2	25.4
UPM 0465	1,028	-	-	406	255	1,286	575	480	1,390	22.5	37.0	12.7	22.2	25.4
UPM 0570	1,028	-	-	406	255	1,286	575	480	1,390	25.0	39.4	12.7	28.6	25.4
UPM 0623	1,028	-	-	406	255	1,286	575	480	1,390	27.5	41.8	12.7	28.6	25.4
UPM 0735	1,528	-	-	406	255	1,786	575	480	1,890	32.0	49.3	12.7	28.6	25.4
UPM 0851	1,528	-	-	406	255	1,786	575	480	1,890	35.7	52.9	12.7	28.6	25.4
UPM 0947	1,528	-	-	406	255	1,786	575	480	1,890	39.4	56.4	12.7	28.6	25.4
UPM 1172	2,027	1,014	1,014	406	255	2,286	575	480	2,390	41.4	66.3	12.7	28.6	25.4
UPM 1320	2,027	1,014	1,014	406	255	2,286	575	480	2,390	51.3	71.0	15.9	28.6	25.4
UPM 1510	2,527	1,011	1,516	406	255	2,786	575	480	2,890	63.2	85.5	15.9	28.6	25.4
UPM 0097 PD6	528	-	-	406	255	786	575	480	890	16.2	30.2	12.7	22.2	25.4
UPM 0139 PD6	528	-	-	406	255	786	575	480	890	17.4	31.6	12.7	22.2	25.4
UPM 0148 PD6	528	-	-	406	255	786	575	480	890	18.7	33.2	12.7	22.2	25.4
UPM 0282 PD6	1,028	-	-	406	255	1,286	575	480	1,390	20.0	34.7	12.7	22.2	25.4
UPM 0343 PD6	1,028	-	-	406	255	1,286	575	480	1,390	22.5	37.0	12.7	22.2	25.4
UPM 0428 PD6	1,028	-	-	406	255	1,286	575	480	1,390	25.0	39.4	12.7	22.2	25.4
UPM 0477 PD6	1,028	-	-	406	255	1,286	575	480	1,390	27.5	41.8	12.7	28.6	25.4
UPM 0533 PD6	1,528	-	-	406	255	1,786	575	480	1,890	32.0	49.3	12.7	28.6	25.4
UPM 0624 PD6	1,528	-	-	406	255	1,786	575	480	1,890	35.7	52.9	12.7	28.6	25.4
UPM 0710 PD6	1,528	-	-	406	255	1,786	575	480	1,890	39.4	56.4	12.7	28.6	25.4
UPM 0855 PD6	2,027	1,014	1,014	406	255	2,286	575	480	2,390	46.4	66.3	12.7	28.6	25.4
UPM 0954 PD6	2,027	1,014	1,014	406	255	2,286	575	480	2,390	51.3	71.0	15.9	28.6	25.4
UPM 1187 PD6	2,527	1,011	1,516	406	255	2,786	575	480	2,890	63.2	85.5	15.9	28.6	25.4
UPL 0085	528	-	-	406	255	786	575	480	890	16.4	30.6	12.7	22.2	25.4
UPL 0098	528	-	-	406	255	786	575	480	890	17.6	31.8	12.7	22.2	25.4
UPL 0113	528	-	-	406	255	786	575	480	890	18.8	33.1	12.7	22.2	25.4
UPL 0145	1,028	-	-	406	255	1,286	575	480	1,390	19.8	34.5	12.7	22.2	25.4
UPL 0177	1,028	-	-	406	255	1,286	575	480	1,390	22.2	36.8	12.7	22.2	25.4
UPL 0209	1,028	-	-	406	255	1,286	575	480	1,390	24.7	39.1	12.7	22.2	25.4
UPL 0255	1,028	-	-	406	255	1,286	575	480	1,390	27.2	41.4	12.7	22.2	25.4
UPL 0296	1,528	-	-	406	255	1,786	575	480	1,890	31.6	49.0	12.7	28.6	25.4
UPL 0364	1,528	-	-	406	255	1,786	575	480	1,890	35.2	52.4	12.7	28.6	25.4
UPL 0412	1,528	-	-	406	255	1,786	575	480	1,890	38.9	55.9	12.7	28.6	25.4
UPL 0483	2,027	1,014	1,014	406	255	2,286	575	480	2,390	45.8	65.7	12.7	28.6	25.4
UPL 0565	2,027	1,014	1,014	406	255	2,286	575	480	2,390	50.6	70.3	15.9	28.6	25.4
UPL 0655	2,527	1,011	1,516	406	255	2,786	575	480	2,890	56.3	79.0	15.9	28.6	25.4
UPL 0748	2,527	1,011	1,516	406	255	2,786	575	480	2,890	62.3	84.7	15.9	28.6	25.4
UPL 0097 LT6	528	-	-	406	255	786	575	480	890	16.5	30.8	12.7	22.2	25.4
UPL 0134 LT6	528	-	-	406	255	786	575	480	890	17.8	31.9	12.7	22.2	25.4
UPL 0144 LT6	528	-	-	406	255	786	575	480	890	19.0	33.3	12.7	22.2	25.4
UPL 0225 LT6	1,028	-	-	406	255	1,286	575	480	1,390	21.1	35.7	12.7	22.2	25.4
UPL 0271 LT6	1,028	-	-	406	255	1,286	575	480	1,390	24.0	38.5	12.7	28.6	25.4
UPL 0330 LT6	1,028	-	-	406	255	1,286	575	480	1,390	29.8	43.9	12.7	28.6	25.4
UPL 0453 LT6	1,528	-	-	406	255	1,786	575	480	1,890	38.6	55.6	12.7	28.6	25.4
UPL 0524 LT6	1,528	-	-	406	255	1,786	575	480	1,890	42.8	59.6	12.7	28.6	25.4
UPL 0616 LT6	2,027	1,014	1,014	406	255	2,286	575	480	2,390	50.2	69.9	12.7	28.6	25.4
UPL 0718 LT6	2,027	1,014	1,014	406	255	2,286	575	480	2,390	55.9	75.3	12.7	28.6	25.4
UPL 0973 LT6	2,527	1,011	1,516	406	255	2,786	575	480	2,890	61.8	84.3	12.7	28.6	25.4

\* Packed Dimensions / Weight

# G4 Ultra Low Profile Series Unit Cooler

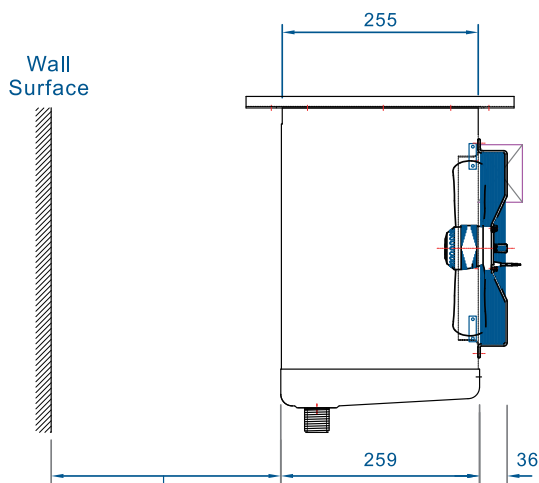
## UPM / UPM PD6 / UPL / UPL LT6

### Installation Guide for UPM / UPM PD6 / UPL / UPL LT6



FRONT VIEW

370mm for 1 fan motor  
 385mm for 2 fans motor  
 400mm for 3 fans motor  
 415mm for 4 fans motor  
 430mm for 5 fans motor



SECTION VIEW



# G4 Ultra Low Profile Series Unit Cooler UPM / UPM PD6 / UPL / UPL LT6

## ADDITIONAL INFORMATION

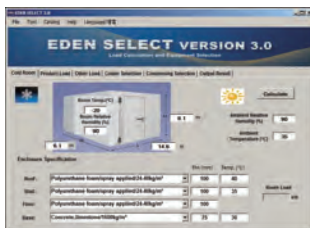
### Example:

Application: Apple Cooler  
Required Room Temperature: 1.5°C  
Ambient: +35°C  
Evaporating Temperature: -3.5°C at 5KTD (Recommended)  
Cooling Capacity: 2.8kW (Inclusive of the Fan and Heater load)  
Type of Refrigerant: R404A

### Selection of the Eden G4 Unit Cooler as follow:

1. Determine the Correction Factor and Multiplier (Refers to page 2)
  - a. Capacity Correction Factor is approx.1.04
  - b. Refrigerant multiplier = 0.989
2. Calculation of required capacity:
  - a.  $2.8\text{kW} / 1.04 / 0.989 = 2.72\text{kW}$  (Inclusive of the Fan and Heater load)
3. Calculate the unit cooler capacity needed at 5KTD:
  - a.  $2.72\text{kW} \times 8 / 5 = 4.35\text{kW}$
4. Hence **UPM 0465** is the suitable unit cooler for the above application.

### Eden Select:



The Eden Select software enables you to do a refrigeration heat load calculation and select the actual model for the unit cooler and condenser.



Far East Maju Engineering Works Sdn Bhd  
R&D, Software & Engineering HQ  
Tel: (60)-3 8961 0910 Fax: (60)-3 8961 5970  
Email: eden@edeng3.com  
www.edensolution.com



Eden Refrigeration Manufacturing  
(Jiangsu) Co.,Ltd.  
Tel:(86) - 519 8806 3222 Fax:(86) - 519 8806 3233  
Email: edensolution@fareastref.com  
www.edensolution.com.cn





**EDEN**<sup>®</sup>

*The Cool Solution*

Visit Us:

**[www.edensolution.com](http://www.edensolution.com)**

AUTHORISED DEALER

Eden accepts no responsibility for possible errors in catalogues, brochures and other printed materials. Eden reserves the right to alter its products without notice. This also applies to products already on order provided that such alterations can be made without subsequential changes being necessary in specifications already agreed.