

# Eden Rack System

ERS Ver 1.0



## Features

---

- Robust construction with compact design
- High energy efficient using Bitzer reciprocation, 2 stage reciprocating and semi screw compressors
- Comprehensive selection range from nominal horsepower (10HP to 450HP)
  - Reciprocating from nominal horsepower 10HP to 300
  - 2 Stage reciprocation from nominal horsepower 10HP to 180HP
  - Semi Screws from nominal horsepower 40HP to 500HP
- Wide operating application (LT and MT from -60°C to +10°C evaporating temperature)
- Standard Rack from 2 compressors to 6 compressors
- Designed for easy access for service and maintenance
- Fully piped oil system complete with safety devices
- Generously sized insulated suction gas header with filter
- Suction branches with isolated ball valves
- Individual Subcooler with accessories as standard for 2 Stage compressors
- Applicable refrigerants R134a, R404A, R507A and others available on request
- Complete with standard accessories (refer to accessories list in the catalogue)
- Protective holding charged with inert gas
- All Eden racks are designed, manufactured and tested in our ISO 9001 accredited factory

## Options available

---

- Remote air-cooled or water cooled condensers to suit the application
- Receivers and pressure vessels conform to 2014/68/EU, AS 1210 compliance standard
- OLCK optical oil level safety for Octagon compressors
- Helical Oil Separators
- Individual electronic oil management system and high pressure oil return with alarm
- Mufflers at discharge line
- Capacity control for 4 and 6 cylinders single stage compressors
- Electrical Panel complete with various controls systems
  - PLC
  - Programmable "Free"
  - Compressor Managers
- Different Code
- Additional head cooling fans



## Index

---

### EDEN Semi Hermetic Rack System (Bitzer)

<b>Performance Data</b> .....	03
Medium Temperature .....	03
R404A/R507A .....	03
R134A .....	06
Low Temperature .....	09
R404A/R507A .....	09
<b>Dimensions</b> .....	13
<b>Accessories chart</b> .....	14

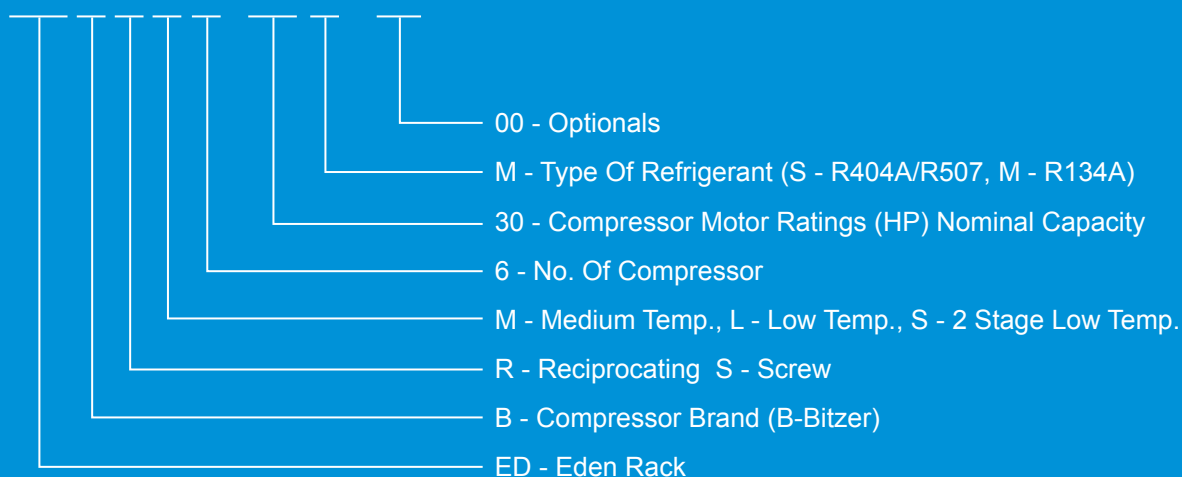
### EDEN Semi Hermetic Screw Rack System (Bitzer)

<b>Performance Data</b> .....	15
Medium Temperature .....	15
R404A/R507A .....	15
R134A .....	17
Low Temperature .....	19
R404A/R507A .....	19
<b>Dimensions</b> .....	21
<b>Accessories chart</b> .....	22

## Nomenclature

---

**E D B R M 6 - 3 0 M . 0 0**



Performance Data  
Semi Hermetic Rack System (Bitzer)  
Medium Temperature

R404A/R507A  
50Hz



Model	Compressor Type	No. of Compressor	SCT (°C)	Refrigerating Capacity Q <sub>0</sub> (kW) Power Input P <sub>0</sub> (kW)					
				Evaporating Temperature °C					
				5	0	-5	-10	-15	
EDBRM2-5S	4FES-5Y	2	45	Q	32.24	26.88	22.22	18.20	14.74
				P	9.64	9.24	8.76	8.18	7.52
EDBRM2-6S	4EES-6Y	2	45	Q	40.60	33.86	27.92	22.82	18.42
				P	12.34	11.78	11.08	10.28	9.40
EDBRM2-7S	4DES-7Y	2	45	Q	49.00	40.80	33.78	27.66	22.38
				P	14.68	14.04	13.24	12.32	11.28
EDBRM2-9S	4CES-9Y	2	45	Q	59.80	49.60	41.00	33.44	26.96
				P	18.22	17.34	16.26	15.02	13.64
EDBRM2-10S	4VES-10Y	2	45	Q	63.20	52.20	42.60	34.46	27.46
				P	18.32	17.26	16.02	14.64	13.16
EDBRM2-12S	4TES-12Y	2	45	Q	76.00	63.00	51.60	42.00	33.56
				P	22.46	21.20	19.72	18.04	16.26
EDBRM2-15S	4PES-15Y	2	45	Q	87.60	72.20	58.80	47.40	37.66
				P	25.66	24.14	22.34	20.34	18.18
EDBRM2-20S	4NES-20Y	2	45	Q	103.80	86.00	70.40	57.20	45.80
				P	30.32	28.64	26.64	24.40	22.00
EDBRM2-22S	4JE-22Y	2	45	Q	115.00	95.80	79.00	64.40	51.80
				P	33.82	31.88	29.66	27.24	24.64
EDBRM2-25S	4HE-25Y	2	45	Q	134.40	112.40	93.00	76.20	61.60
				P	39.96	37.74	35.18	32.38	29.40
EDBRM2-30S	4GE-30Y	2	45	Q	153.80	128.60	106.60	87.60	71.00
				P	46.20	43.60	40.60	37.42	33.98
EDBRM2-35S	6HE-35Y	2	45	Q	197.40	165.00	136.60	112.00	90.60
				P	58.60	55.80	52.20	48.40	44.00
EDBRM2-40S	6GE-40Y	2	45	Q	222.80	186.60	155.20	127.60	103.80
				P	68.20	64.60	60.60	56.00	51.20
EDBRM2-50S	6FE-50Y	2	45	Q	270.40	227.00	189.00	156.00	127.20
				P	84.60	80.20	75.00	69.20	63.00
EDBRM3-5S	4FES-5Y	3	45	Q	48.36	40.32	33.33	27.30	22.11
				P	14.46	13.86	13.14	12.27	11.28
EDBRM3-6S	4EES-6Y	3	45	Q	60.90	50.79	41.88	34.23	27.63
				P	18.51	17.67	16.62	15.42	14.10
EDBRM3-7S	4DES-7Y	3	45	Q	73.50	61.20	50.67	41.49	33.57
				P	22.02	21.06	19.86	18.48	16.92
EDBRM3-9S	4CES-9Y	3	45	Q	89.70	74.40	61.50	50.16	40.44
				P	27.33	26.01	24.39	22.53	20.46
EDBRM3-10S	4VES-10Y	3	45	Q	94.80	78.30	63.90	51.69	41.19
				P	27.48	25.89	24.03	21.96	19.74
EDBRM3-12S	4TES-12Y	3	45	Q	114.00	94.50	77.40	63.00	50.34
				P	33.69	31.80	29.58	27.06	24.39
EDBRM3-15S	4PES-15Y	3	45	Q	131.40	108.30	88.20	71.10	56.49
				P	38.49	36.21	33.51	30.51	27.27
EDBRM3-20S	4NES-20Y	3	45	Q	155.70	129.00	105.60	85.80	68.70
				P	45.48	42.96	39.96	36.60	33.00
EDBRM3-22S	4JE-22Y	3	45	Q	172.50	143.70	118.50	96.60	77.70
				P	50.73	47.82	44.49	40.86	36.96
EDBRM3-25S	4HE-25Y	3	45	Q	201.60	168.60	139.50	114.30	92.40
				P	59.94	56.61	52.77	48.57	44.10
EDBRM3-30S	4GE-30Y	3	45	Q	230.70	192.90	159.90	131.40	106.50
				P	69.30	65.40	60.90	56.13	50.97
EDBRM3-35S	6HE-35Y	3	45	Q	296.10	247.50	204.90	168.00	135.90
				P	87.90	83.70	78.30	72.60	66.00

Capacity based on 20°C Suction Temperature with no Sub-Cooling

Performance Data  
Semi Hermetic Rack System (Bitzer)  
Medium Temperature

R404A/R507A  
50Hz

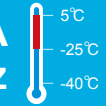



Model	Compressor Type	No. of Compressor	SCT (°C)	Refrigerating Capacity Q <sub>0</sub> (kW) Power Input P <sub>0</sub> (kW)					
				Evaporating Temperature °C					
				5	0	-5	-10	-15	
EDBRM3-40S	6GE-40Y	3	45	Q	334.20	279.90	232.80	191.40	155.70
				P	102.30	96.90	90.90	84.00	76.80
EDBRM3-50S	6FE-50Y	3	45	Q	405.60	340.50	283.50	234.00	190.80
				P	126.90	120.30	112.50	103.80	94.50
EDBRM4-5S	4FES-5Y	4	45	Q	64.48	53.76	44.44	36.40	29.48
				P	19.28	18.48	17.52	16.36	15.04
EDBRM4-6S	4EES-6Y	4	45	Q	81.20	67.72	55.84	45.64	36.84
				P	24.68	23.56	22.16	20.56	18.80
EDBRM4-7S	4DES-7Y	4	45	Q	98.00	81.60	67.56	55.32	44.76
				P	29.36	28.08	26.48	24.64	22.56
EDBRM4-9S	4CES-9Y	4	45	Q	119.60	99.20	82.00	66.88	53.92
				P	36.44	34.68	32.52	30.04	27.28
EDBRM4-10S	4VES-10Y	4	45	Q	126.40	104.40	85.20	68.92	54.92
				P	36.64	34.52	32.04	29.28	26.32
EDBRM4-12S	4TES-12Y	4	45	Q	152.00	126.00	103.20	84.00	67.12
				P	44.92	42.40	39.44	36.08	32.52
EDBRM4-15S	4PES-15Y	4	45	Q	175.20	144.40	117.60	94.80	75.32
				P	51.32	48.28	44.68	40.68	36.36
EDBRM4-20S	4NES-20Y	4	45	Q	207.60	172.00	140.80	114.40	91.60
				P	60.64	57.28	53.28	48.80	44.00
EDBRM4-22S	4JE-22Y	4	45	Q	230.00	191.60	158.00	128.80	103.60
				P	67.64	63.76	59.32	54.48	49.28
EDBRM4-25S	4HE-25Y	4	45	Q	268.80	224.80	186.00	152.40	123.20
				P	79.92	75.48	70.36	64.76	58.80
EDBRM4-30S	4GE-30Y	4	45	Q	307.60	257.20	213.20	175.20	142.00
				P	92.40	87.20	81.20	74.84	67.96
EDBRM4-35S	6HE-35Y	4	45	Q	394.80	330.00	273.20	224.00	181.20
				P	117.20	111.60	104.40	96.80	88.00
EDBRM4-40S	6GE-40Y	4	45	Q	445.60	373.20	310.40	255.20	207.60
				P	136.40	129.20	121.20	112.00	102.40
EDBRM4-50S	6FE-50Y	4	45	Q	540.80	454.00	378.00	312.00	254.40
				P	169.20	160.40	150.00	138.40	126.00
EDBRM5-5S	4FES-5Y	5	45	Q	80.60	67.20	55.55	45.50	36.85
				P	24.10	23.10	21.90	20.45	18.80
EDBRM5-6S	4EES-6Y	5	45	Q	101.50	84.65	69.80	57.05	46.05
				P	30.85	29.45	27.70	25.70	23.50
EDBRM5-7S	4DES-7Y	5	45	Q	122.50	102.00	84.45	69.15	55.95
				P	36.70	35.10	33.10	30.80	28.20
EDBRM5-9S	4CES-9Y	5	45	Q	149.50	124.00	102.50	83.60	67.40
				P	45.55	43.35	40.65	37.55	34.10
EDBRM5-10S	4VES-10Y	5	45	Q	158.00	130.50	106.50	86.15	68.65
				P	45.80	43.15	40.05	36.60	32.90
EDBRM5-12S	4TES-12Y	5	45	Q	190.00	157.50	129.00	105.00	83.90
				P	56.15	53.00	49.30	45.10	40.65
EDBRM5-15S	4PES-15Y	5	45	Q	219.00	180.50	147.00	118.50	94.15
				P	64.15	60.35	55.85	50.85	45.45
EDBRM5-20S	4NES-20Y	5	45	Q	259.50	215.00	176.00	143.00	114.50
				P	75.80	71.60	66.60	61.00	55.00
EDBRM5-22S	4JE-22Y	5	45	Q	287.50	239.50	197.50	161.00	129.50
				P	84.55	79.70	74.15	68.10	61.60
EDBRM5-25S	4HE-25Y	5	45	Q	336.00	281.00	232.50	190.50	154.00
				P	99.90	94.35	87.95	80.95	73.50

Capacity based on 20°C Suction Temperature with no Sub-Cooling

Performance Data  
Semi Hermetic Rack System (Bitzer)  
Medium Temperature

R404A/R507A  
50Hz



Model	Compressor Type	No. of Compressor	SCT (°C)	Refrigerating Capacity Q <sub>0</sub> (kW)		Power Input P <sub>0</sub> (kW)				
				Evaporating Temperature °C						
				5	0	-5	-10	-15		
EDBRM5-30S	4GE-30Y	5	45	Q	384.50	321.50	266.50	219.00	177.50	
				P	115.50	109.00	101.50	93.55	84.95	
EDBRM5-35S	6HE-35Y	5	45	Q	493.50	412.50	341.50	280.00	226.50	
				P	146.50	139.50	130.50	121.00	110.00	
EDBRM5-40S	6GE-40Y	5	45	Q	557.00	466.50	388.00	319.00	259.50	
				P	170.50	161.50	151.50	140.00	128.00	
EDBRM5-50S	6FE-50Y	5	45	Q	676.00	567.50	472.50	390.00	318.00	
				P	211.50	200.50	187.50	173.00	157.50	
EDBRM6-5S	4FES-5Y	6	45	Q	96.72	80.64	66.66	54.60	44.22	
				P	28.92	27.72	26.28	24.54	22.56	
EDBRM6-6S	4EES-6Y	6	45	Q	121.80	101.58	83.76	68.46	55.26	
				P	37.02	35.34	33.24	30.84	28.20	
EDBRM6-7S	4DES-7Y	6	45	Q	147.00	122.40	101.34	82.98	67.14	
				P	44.04	42.12	39.72	36.96	33.84	
EDBRM6-9S	4CES-9Y	6	45	Q	179.40	148.80	123.00	100.32	80.88	
				P	54.66	52.02	48.78	45.06	40.92	
EDBRM6-10S	4VES-10Y	6	45	Q	189.60	156.60	127.80	103.38	82.38	
				P	54.96	51.78	48.06	43.92	39.48	
EDBRM6-12S	4TES-12Y	6	45	Q	228.00	189.00	154.80	126.00	100.68	
				P	67.38	63.60	59.16	54.12	48.78	
EDBRM6-15S	4PES-15Y	6	45	Q	262.80	216.60	176.40	142.20	112.98	
				P	76.98	72.42	67.02	61.02	54.54	
EDBRM6-20S	4NES-20Y	6	45	Q	311.40	258.00	211.20	171.60	137.40	
				P	90.96	85.92	79.92	73.20	66.00	
EDBRM6-22S	4JE-22Y	6	45	Q	345.00	287.40	237.00	193.20	155.40	
				P	101.46	95.64	88.98	81.72	73.92	
EDBRM6-25S	4HE-25Y	6	45	Q	403.20	337.20	279.00	228.60	184.80	
				P	119.88	113.22	105.54	97.14	88.20	
EDBRM6-30S	4GE-30Y	6	45	Q	461.40	385.80	319.80	262.80	213.00	
				P	138.60	130.80	121.80	112.26	101.94	
EDBRM6-35S	6HE-35Y	6	45	Q	592.20	495.00	409.80	336.00	271.80	
				P	175.80	167.40	156.60	145.20	132.00	
EDBRM6-40S	6GE-40Y	6	45	Q	668.40	559.80	465.60	382.80	311.40	
				P	204.60	193.80	181.80	168.00	153.60	
EDBRM6-50S	6FE-50Y	6	45	Q	811.20	681.00	567.00	468.00	381.60	
				P	253.80	240.60	225.00	207.60	189.00	

Capacity based on 20°C Suction Temperature with no Sub-Cooling

Performance Data  
Semi Hermetic Rack System (Bitzer)  
Medium Temperature

R134A  
50Hz




Model	Compressor Type	No. of Compressor	SCT (°C)	Refrigerating Capacity Q <sup>0</sup> (kW)		Power Input P <sup>0</sup> (kW)				
				Evaporating Temperature °C						
				5	0	-5	-10	-15		
EDBRM2-5M	4FES-5Y	2	45	Q	20.48	16.44	13.02	10.14	7.76	
				P	5.66	5.24	4.78	4.30	3.80	
EDBRM2-6M	4EES-6Y	2	45	Q	26.10	21.24	17.08	13.56	10.58	
				P	7.26	6.76	6.22	5.64	5.04	
EDBRM2-7M	4DES-7Y	2	45	Q	31.04	25.02	19.92	15.64	12.06	
				P	8.48	7.88	7.22	6.50	5.78	
EDBRM2-9M	4CES-9Y	2	45	Q	38.14	30.86	24.66	19.46	15.12	
				P	10.40	9.68	8.88	8.02	7.14	
EDBRM2-10M	4VES-10Y	2	45	Q	39.82	32.00	25.36	19.76	15.08	
				P	10.50	9.78	8.90	7.94	6.92	
EDBRM2-12M	4TES-12Y	2	45	Q	48.00	38.72	30.80	24.12	18.52	
				P	12.84	11.94	10.88	9.72	8.50	
EDBRM2-15M	4PES-15Y	2	45	Q	55.20	44.20	34.94	27.12	20.60	
				P	14.56	13.52	12.26	10.88	9.44	
EDBRM2-20M	4NES-20Y	2	45	Q	65.60	52.80	42.00	32.92	25.32	
				P	17.36	16.16	14.74	13.16	11.54	
EDBRM2-22M	4JE-22Y	2	45	Q	73.60	59.80	47.80	37.64	29.00	
				P	19.04	17.84	16.42	14.84	13.18	
EDBRM2-25M	4HE-25Y	2	45	Q	87.40	71.00	57.00	45.00	34.90	
				P	22.66	21.22	19.58	17.76	15.84	
EDBRM2-30M	4GE-30Y	2	45	Q	102.00	83.00	66.60	52.60	40.80	
				P	26.48	24.74	22.78	20.66	18.40	
EDBRM2-35M	6HE-35Y	2	45	Q	128.60	104.20	83.40	65.80	50.80	
				P	33.96	31.60	29.54	25.92	22.80	
EDBRM2-40M	6GE-40Y	2	45	Q	148.60	121.20	97.60	77.60	60.60	
				P	40.40	37.72	34.58	31.20	27.66	
EDBRM2-50M	6FE-50Y	2	45	Q	176.60	143.40	115.40	91.40	71.20	
				P	48.40	45.00	41.40	37.48	33.38	
EDBRM3-5M	4FES-5Y	3	45	Q	30.72	24.66	19.53	15.21	11.64	
				P	8.49	7.86	7.17	6.45	5.70	
EDBRM3-6M	4EES-6Y	3	45	Q	39.15	31.86	25.62	20.34	15.87	
				P	10.89	10.14	9.33	8.46	7.56	
EDBRM3-7M	4DES-7Y	3	45	Q	45.56	37.53	29.88	23.46	18.09	
				P	12.72	11.82	10.83	9.75	8.67	
EDBRM3-9M	4CES-9Y	3	45	Q	57.21	46.29	36.99	29.19	22.68	
				P	15.60	14.52	13.32	12.03	10.71	
EDBRM3-10M	4VES-10Y	3	45	Q	59.73	48.00	38.04	29.64	22.62	
				P	15.75	14.67	13.35	11.91	10.38	
EDBRM3-12M	4TES-12Y	3	45	Q	72.00	58.08	46.20	36.18	27.78	
				P	19.26	17.91	16.32	14.58	12.75	
EDBRM3-15M	4PES-15Y	3	45	Q	82.80	66.30	52.41	40.68	30.90	
				P	21.84	20.28	18.39	16.32	14.16	
EDBRM3-20M	4NES-20Y	3	45	Q	98.40	79.20	63.00	49.38	37.98	
				P	26.04	24.24	22.11	19.74	17.31	
EDBRM3-22M	4JE-22Y	3	45	Q	110.40	89.70	71.70	56.46	43.50	
				P	28.56	26.76	24.63	22.26	19.77	
EDBRM3-25M	4HE-25Y	3	45	Q	131.10	106.50	85.50	67.50	52.35	
				P	33.99	31.83	29.37	26.64	23.76	
EDBRM3-30M	4GE-30Y	3	45	Q	153.00	124.50	99.90	78.90	61.20	
				P	39.72	37.11	34.17	30.99	27.60	
EDBRM3-35M	6HE-35Y	3	45	Q	192.90	156.30	125.10	98.70	76.20	
				P	50.94	47.40	44.31	38.88	34.20	

Capacity based on 20°C Suction Temperature with no Sub-Cooling

Performance Data  
Semi Hermetic Rack System (Bitzer)  
Medium Temperature

R134A  
50Hz




Model	Compressor Type	No. of Compressor	SCT (°C)	Refrigerating Capacity Q <sup>0</sup> (kW)		Power Input P <sup>0</sup> (kW)				
				Evaporating Temperature °C						
				5	0	-5	-10	-15		
EDBRM3-40M	6GE-40Y	3	45	Q	222.90	181.80	146.40	116.40	90.90	
				P	60.60	56.58	51.87	46.80	41.49	
EDBRM3-50M	6FE-50Y	3	45	Q	264.90	215.10	173.10	137.10	106.80	
				P	72.60	67.50	62.10	56.22	50.07	
EDBRM4-5M	4FES-5Y	4	45	Q	40.96	32.88	26.04	20.28	15.52	
				P	11.32	10.48	9.56	8.60	7.60	
EDBRM4-6M	4EES-6Y	4	45	Q	52.20	42.48	34.16	27.12	21.16	
				P	14.52	13.52	12.44	11.28	10.08	
EDBRM4-7M	4DES-7Y	4	45	Q	62.08	50.04	39.84	31.28	24.12	
				P	16.96	15.76	14.44	13.00	11.56	
EDBRM4-9M	4CES-9Y	4	45	Q	76.28	61.72	49.32	38.92	30.24	
				P	20.80	19.36	17.76	16.04	14.28	
EDBRM4-10M	4VES-10Y	4	45	Q	79.64	64.00	50.72	39.52	30.16	
				P	21.00	19.56	17.80	15.88	13.84	
EDBRM4-12M	4TES-12Y	4	45	Q	96.00	77.44	61.60	48.24	37.04	
				P	25.68	23.88	21.76	19.44	17.00	
EDBRM4-15M	4PES-15Y	4	45	Q	110.40	88.40	69.88	54.24	41.20	
				P	29.12	27.04	24.52	21.76	18.88	
EDBRM4-20M	4NES-20Y	4	45	Q	131.20	105.60	84.00	65.84	50.64	
				P	34.72	32.32	29.48	26.32	23.08	
EDBRM4-22M	4JE-22Y	4	45	Q	147.20	119.60	95.60	75.28	58.00	
				P	38.08	35.68	32.84	29.68	26.36	
EDBRM4-25M	4HE-25Y	4	45	Q	174.80	142.00	114.00	90.00	69.80	
				P	45.32	42.44	39.16	35.52	31.68	
EDBRM4-30M	4GE-30Y	4	45	Q	204.00	166.00	133.20	105.20	81.60	
				P	52.96	49.48	45.56	41.32	36.80	
EDBRM4-35M	6HE-35Y	4	45	Q	257.20	208.40	166.80	131.60	101.60	
				P	67.92	63.20	59.08	51.84	45.60	
EDBRM4-40M	6GE-40Y	4	45	Q	297.20	242.40	195.20	155.20	121.20	
				P	80.80	75.44	69.16	62.40	55.32	
EDBRM4-50M	6FE-50Y	4	45	Q	353.20	286.80	230.80	182.80	142.40	
				P	96.80	90.00	82.80	74.96	66.76	
EDBRM5-5M	4FES-5Y	5	45	Q	51.20	41.10	32.55	25.35	19.40	
				P	14.15	13.10	11.95	10.75	9.50	
EDBRM5-6M	4EES-6Y	5	45	Q	62.25	53.10	42.70	33.90	26.45	
				P	18.15	16.90	15.55	14.10	12.60	
EDBRM5-7M	4DES-7Y	5	45	Q	77.60	62.55	49.80	39.10	30.15	
				P	21.20	19.70	18.05	16.25	14.45	
EDBRM5-9M	4CES-9Y	5	45	Q	95.35	77.15	61.65	48.65	37.80	
				P	26.00	24.20	22.20	20.05	17.85	
EDBRM5-10M	4VES-10Y	5	45	Q	99.55	80.00	63.40	49.40	37.70	
				P	26.25	24.45	22.75	19.85	17.30	
EDBRM5-12M	4TES-12Y	5	45	Q	120.00	96.80	77.00	60.30	46.30	
				P	32.10	29.85	27.20	24.30	21.25	
EDBRM5-15M	4PES-15Y	5	45	Q	138.00	110.50	87.35	67.80	51.50	
				P	36.40	33.80	30.65	27.20	23.60	
EDBRM5-20M	4NES-20Y	5	45	Q	164.00	132.00	105.00	82.30	63.30	
				P	43.40	40.40	36.85	32.90	28.85	
EDBRM5-22M	4JE-22Y	5	45	Q	184.00	149.50	119.50	94.10	72.50	
				P	47.60	44.60	41.05	37.10	32.95	
EDBRM5-25M	4HE-25Y	5	45	Q	218.50	177.50	142.50	112.50	87.25	
				P	56.65	53.05	48.95	44.40	39.60	

Capacity based on 20°C Suction Temperature with no Sub-Cooling



Performance Data  
Semi Hermetic Rack System (Bitzer)  
Medium Temperature

R134A  
50Hz




Model	Compressor Type	No. of Compressor	SCT (°C)	Refrigerating Capacity Q <sup>0</sup> (kW) Power Input P <sup>0</sup> (kW)					
				Evaporating Temperature °C					
				5	0	-5	-10	-15	
EDBRM5-30M	4GE-30Y	5	45	Q	255.00	207.50	166.50	131.50	102.00
				P	66.20	61.85	56.95	51.65	46.00
EDBRM5-35M	6HE-35Y	5	45	Q	321.50	260.50	208.50	164.50	127.00
				P	84.90	79.00	73.85	64.80	57.00
EDBRM5-40M	6GE-40Y	5	45	Q	371.50	303.00	244.00	194.00	151.50
				P	101.00	94.30	86.45	78.00	69.15
EDBRM5-50M	6FE-50Y	5	45	Q	441.50	358.50	288.50	228.50	178.00
				P	121.00	112.50	103.50	93.70	83.45
EDBRM6-5M	4FES-5Y	6	45	Q	61.44	49.32	39.06	30.42	23.28
				P	16.98	15.72	14.34	12.90	11.40
EDBRM6-6M	4EES-6Y	6	45	Q	78.30	63.72	51.24	40.68	31.74
				P	21.78	20.28	18.66	16.92	15.12
EDBRM6-7M	4DES-7Y	6	45	Q	93.12	75.06	59.76	46.92	36.18
				P	25.44	23.64	21.66	19.50	17.34
EDBRM6-9M	4CES-9Y	6	45	Q	114.42	92.58	73.98	58.38	45.36
				P	31.20	29.04	26.64	24.06	21.42
EDBRM6-10M	4VES-10Y	6	45	Q	119.46	96.00	76.08	59.28	45.24
				P	31.50	29.34	26.70	23.82	20.76
EDBRM6-12M	4TES-12Y	6	45	Q	144.00	116.16	92.40	72.36	55.56
				P	38.52	35.82	32.64	29.16	25.50
EDBRM6-15M	4PES-15Y	6	45	Q	165.60	132.60	104.82	81.36	61.80
				P	43.68	40.56	36.78	32.64	28.32
EDBRM6-20M	4NES-20Y	6	45	Q	196.80	158.40	126.00	98.76	75.96
				P	52.08	48.48	44.22	39.48	34.62
EDBRM6-22M	4JE-22Y	6	45	Q	220.80	179.40	143.40	112.92	87.00
				P	57.12	53.52	49.26	44.52	39.54
EDBRM6-25M	4HE-25Y	6	45	Q	262.60	213.00	171.00	135.00	104.70
				P	67.98	63.66	58.74	53.28	47.52
EDBRM6-30M	4GE-30Y	6	45	Q	306.00	249.00	199.80	157.80	122.40
				P	79.44	74.22	68.34	61.98	55.20
EDBRM6-35M	6HE-35Y	6	45	Q	385.80	312.60	250.20	197.40	152.40
				P	101.88	94.80	88.62	77.76	68.40
EDBRM6-40M	6GE-40Y	6	45	Q	445.80	363.60	292.80	232.80	181.80
				P	121.20	113.16	103.74	93.60	82.98
EDBRM6-50M	6FE-50Y	6	45	Q	529.80	430.20	346.20	274.20	213.60
				P	145.20	135.00	124.20	112.44	100.14

Capacity based on 20°C Suction Temperature with no Sub-Cooling

Performance Data  
Semi Hermetic Rack System (Bitzer)  
Low Temperature

R404A/R507A  
50Hz



Model	Compressor Type	No. of Compressor	SCT (°C)	Refrigerating Capacity Q <sub>0</sub> (kW) Power Input P <sub>0</sub> (kW)					
				Evaporating Temperature °C					
				-20	-25	-30	-35	-40	
EDBRL2-5S	4DES-5Y	2	45	Q	17.88	14.06	10.84	8.18	5.98
				P	10.32	9.10	7.88	6.68	5.52
EDBRL2-6S	4CES-6Y	2	45	Q	21.46	16.78	12.86	9.60	6.94
				P	12.20	10.72	9.22	7.78	6.40
EDBRL2-7S	4VES-7Y	2	45	Q	21.50	16.48	12.28	8.82	5.98
				P	11.84	10.16	8.52	6.96	5.50
EDBRL2-9S	4TES-9Y	2	45	Q	26.56	20.56	15.52	11.36	7.98
				P	14.68	12.70	10.76	8.92	7.22
EDBRL2-12S	4PES-12Y	2	45	Q	29.62	22.64	16.82	12.02	8.12
				P	16.06	13.76	11.48	9.28	7.24
EDBRL2-14S	4NES-14Y	2	45	Q	36.08	27.90	21.04	15.40	10.78
				P	19.84	17.16	14.48	11.88	9.44
EDBRL2-15S	4JE-15Y	2	45	Q	42.80	33.40	25.48	18.82	13.24
				P	22.88	20.08	17.28	14.56	11.92
EDBRL2-18S	4HE-18Y	2	45	Q	50.60	39.76	30.64	22.94	16.52
				P	27.32	24.00	20.70	17.50	14.46
EDBRL2-23S	4GE-23Y	2	45	Q	59.20	46.80	36.48	27.72	20.42
				P	32.48	28.54	24.66	20.92	17.42
EDBRL2-25S	6JE-25Y	2	45	Q	63.60	49.80	38.04	28.18	20.00
				P	33.88	29.68	25.40	21.18	17.08
EDBRL2-28S	6HE-28Y	2	45	Q	74.40	58.60	45.20	33.82	24.36
				P	40.40	35.38	30.40	25.50	20.80
EDBRL2-34S	6GE-34Y	2	45	Q	88.60	70.80	55.60	42.60	31.64
				P	49.20	43.60	37.90	32.38	27.12
EDBRL2-44S	6FE-44Y	2	45	Q	105.80	84.20	65.60	49.60	36.14
				P	59.20	52.40	45.40	38.70	32.14
EDBRL3-5S	4DES-5Y	3	45	Q	26.82	21.09	16.26	12.27	8.97
				P	15.48	13.65	11.82	10.02	8.28
EDBRL3-6S	4CES-6Y	3	45	Q	32.19	25.17	19.29	14.40	10.41
				P	18.30	16.08	13.83	11.67	9.60
EDBRL3-7S	4VES-7Y	3	45	Q	32.25	24.72	18.42	13.23	8.97
				P	17.76	15.24	12.78	10.44	8.25
EDBRL3-9S	4TES-9Y	3	45	Q	39.84	30.84	23.28	17.04	11.97
				P	22.02	19.05	16.14	13.38	10.83
EDBRL3-12S	4PES-12Y	3	45	Q	44.43	33.96	25.23	18.03	12.18
				P	24.09	20.64	17.22	13.92	10.86
EDBRL3-14S	4NES-14Y	3	45	Q	54.12	41.85	31.56	23.10	16.17
				P	29.76	25.74	21.73	17.82	14.16
EDBRL3-15S	4JE-15Y	3	45	Q	64.20	50.10	38.22	28.23	19.86
				P	34.32	30.12	25.92	21.84	17.88
EDBRL3-18S	4HE-18Y	3	45	Q	75.90	59.64	45.96	34.41	24.78
				P	40.98	36.00	31.05	26.25	21.69
EDBRL3-23S	4GE-23Y	3	45	Q	88.80	70.20	54.72	42.58	30.63
				P	48.72	42.81	36.99	31.38	26.13
EDBRL3-25S	6JE-25Y	3	45	Q	95.40	74.70	57.06	42.27	30.00
				P	50.82	44.52	38.10	31.77	25.62
EDBRL3-28S	6HE-28Y	3	45	Q	111.60	87.90	67.80	50.73	36.54
				P	60.60	53.07	45.60	38.25	31.20
EDBRL3-34S	6GE-34Y	3	45	Q	132.90	106.20	83.40	63.90	47.46
				P	73.80	65.40	56.85	48.57	40.68
EDBRL3-44S	6FE-44Y	3	45	Q	158.70	126.30	98.40	74.40	54.21
				P	88.80	78.60	68.10	58.05	48.21

Capacity based on 20°C Suction Temperature with no Sub-Cooling

Performance Data  
Semi Hermetic Rack System (Bitzer)  
Low Temperature

R404A/R507A  
50Hz




Model	Compressor Type	No. of Compressor	SCT (°C)	Refrigerating Capacity Q <sub>0</sub> (kW) Power Input P <sub>0</sub> (kW)					
				Evaporating Temperature °C					
				-20	-25	-30	-35	-40	
EDBRL4-5S	4DES-5Y	4	45	Q	35.76	28.12	21.68	16.36	11.96
				P	20.64	18.20	15.76	13.36	11.04
EDBRL4-6S	4CES-6Y	4	45	Q	42.92	33.56	25.72	19.20	13.88
				P	24.40	21.44	18.44	15.56	12.80
EDBRL4-7S	4VES-7Y	4	45	Q	43.00	32.96	24.56	17.64	11.96
				P	23.68	20.32	17.04	13.92	11.00
EDBRL4-9S	4TES-9Y	4	45	Q	53.12	41.12	31.04	22.72	15.96
				P	29.36	25.40	21.52	17.84	14.44
EDBRL4-12S	4PES-12Y	4	45	Q	59.24	45.28	33.64	24.04	16.24
				P	32.12	27.52	22.96	18.56	14.48
EDBRL4-14S	4NES-14Y	4	45	Q	72.16	55.80	42.08	30.80	21.56
				P	39.68	34.32	28.96	23.76	18.88
EDBRL4-15S	4JE-15Y	4	45	Q	85.60	66.80	50.96	37.64	26.48
				P	45.76	40.16	34.56	29.12	23.84
EDBRL4-18S	4HE-18Y	4	45	Q	101.20	79.52	61.28	45.88	33.04
				P	54.64	48.00	41.40	35.00	28.92
EDBRL4-23S	4GE-23Y	4	45	Q	118.40	93.60	72.96	55.44	40.40
				P	64.96	57.08	49.32	41.84	34.84
EDBRL4-25S	6JE-25Y	4	45	Q	127.20	99.60	76.08	56.36	40.00
				P	67.76	59.36	50.80	42.36	34.16
EDBRL4-28S	6HE-28Y	4	45	Q	148.80	117.20	90.40	67.64	48.72
				P	80.80	70.76	60.80	51.00	41.60
EDBRL4-34S	6GE-34Y	4	45	Q	177.20	141.60	111.20	85.20	63.28
				P	98.40	87.20	75.80	64.76	54.24
EDBRL4-44S	6FE-44Y	4	45	Q	211.60	168.40	131.20	99.20	72.28
				P	118.40	104.80	90.80	77.40	64.28
EDBRL5-5S	4DES-5Y	5	45	Q	44.70	35.15	27.10	20.45	14.95
				P	25.80	22.75	19.70	16.70	13.80
EDBRL5-6S	4CES-6Y	5	45	Q	53.65	41.95	32.15	24.00	17.35
				P	30.50	26.80	23.05	19.45	16.00
EDBRL5-7S	4VES-7Y	5	45	Q	53.75	41.20	30.70	22.05	14.95
				P	29.60	25.40	21.30	17.40	13.75
EDBRL5-9S	4TES-9Y	5	45	Q	66.40	51.40	38.80	28.40	19.95
				P	36.70	31.75	26.90	22.30	18.05
EDBRL5-12S	4PES-12Y	5	45	Q	74.05	56.60	42.05	30.05	20.30
				P	40.15	34.40	28.70	23.20	18.10
EDBRL5-14S	4NES-14Y	5	45	Q	90.20	69.75	52.60	38.50	26.95
				P	49.60	42.90	36.20	29.70	23.60
EDBRL5-15S	4JE-15Y	5	45	Q	107.00	83.50	63.70	47.05	33.10
				P	57.20	50.20	43.20	36.40	29.80
EDBRL5-18S	4HE-18Y	5	45	Q	126.50	99.40	76.60	57.35	41.30
				P	68.30	60.00	51.75	43.75	36.15
EDBRL5-23S	4GE-23Y	5	45	Q	148.00	117.00	91.20	69.30	51.05
				P	81.20	71.35	61.65	52.30	43.55
EDBRL5-25S	6JE-25Y	5	45	Q	159.00	124.50	95.10	70.45	50.00
				P	84.70	74.20	63.50	52.95	42.70
EDBRL5-28S	6HE-28Y	5	45	Q	186.00	146.50	113.00	84.55	60.90
				P	101.00	88.45	76.00	63.75	52.00
EDBRL5-34S	6GE-34Y	5	45	Q	221.50	177.00	139.00	106.50	79.10
				P	123.00	109.00	94.75	80.95	67.80
EDBRL5-44S	6FE-44Y	5	45	Q	264.50	210.50	164.00	124.00	90.35
				P	148.00	131.00	113.50	96.75	80.35

Capacity based on 20°C Suction Temperature with no Sub-Cooling

# Performance Data

## Semi Hermetic Rack System (Bitzer)

### Low Temperature

**R404A/R507A**  
**50Hz**




Model	Compressor Type	No. of Compressor	SCT (°C)	Refrigerating Capacity Q <sub>0</sub> (kW) Power Input P <sub>0</sub> (kW)					
				Evaporating Temperature °C					
				-20	-25	-30	-35	-40	
EDBRL6-5S	4DES-5Y	6	45	Q	53.64	42.18	32.52	24.54	17.94
				P	30.96	27.30	23.64	20.04	16.56
EDBRL6-6S	4CES-6Y	6	45	Q	64.38	50.34	38.58	28.80	20.82
				P	36.60	32.16	27.66	23.34	19.20
EDBRL6-7S	4VES-7Y	6	45	Q	64.50	49.44	36.84	26.46	17.94
				P	35.52	30.48	25.56	20.88	16.50
EDBRL6-9S	4TES-9Y	6	45	Q	79.68	61.68	46.56	34.08	23.94
				P	44.04	38.10	32.28	26.76	21.66
EDBRL6-12S	4PES-12Y	6	45	Q	88.86	67.92	50.46	36.06	24.36
				P	48.18	41.28	34.44	27.84	21.72
EDBRL6-14S	4NES-14Y	6	45	Q	108.24	83.70	63.12	46.20	32.34
				P	59.52	51.48	43.44	35.64	28.32
EDBRL6-15S	4JE-15Y	6	45	Q	128.40	100.20	76.44	56.46	39.72
				P	68.64	60.24	51.84	43.68	35.76
EDBRL6-18S	4HE-18Y	6	45	Q	151.80	119.28	91.92	68.82	49.56
				P	81.96	72.00	62.10	52.50	43.38
EDBRL6-23S	4GE-23Y	6	45	Q	177.60	140.40	109.44	83.16	61.26
				P	97.44	85.62	73.98	62.76	52.26
EDBRL6-25S	6JE-25Y	6	45	Q	190.80	149.40	114.12	84.54	60.00
				P	101.64	89.04	76.20	63.54	51.24
EDBRL6-28S	6HE-28Y	6	45	Q	223.20	175.80	135.60	101.46	73.08
				P	121.20	106.14	91.20	76.50	62.40
EDBRL6-34S	6GE-34Y	6	45	Q	265.80	212.40	166.80	127.80	94.92
				P	147.60	130.80	113.70	97.14	81.36
EDBRL6-44S	6FE-44Y	6	45	Q	317.40	252.60	196.80	148.80	108.42
				P	177.60	157.20	136.20	116.10	96.42
EDBRS2-5S	S4T-5.2Y	2	45	Q	-	17.64	14.74	12.18	9.92
				P	-	10.20	9.48	8.72	7.92
EDBRS2-8S	S4N-8.2Y	2	45	Q	-	24.48	20.49	16.96	13.84
				P	-	15.48	14.32	13.12	11.90
EDBRS2-12S	S4G-12.2Y	2	45	Q	-	37.02	31.70	26.72	22.14
				P	-	23.40	21.64	19.80	17.92
EDBRS2-16S	S6J-16.2Y	2	45	Q	-	51.91	44.64	37.80	31.50
				P	-	33.88	30.84	27.92	25.12
EDBRS2-20S	S6H-20.2Y	2	45	Q	-	59.80	51.48	43.60	36.36
				P	-	39.20	35.70	32.34	29.10
EDBRS2-25S	S6G-25.2Y	2	45	Q	-	68.22	58.76	49.80	41.60
				P	-	45.00	41.00	37.12	33.40
EDBRS2-30S	S6F-30.2Y	2	45	Q	-	80.82	69.62	59.00	49.40
				P	-	53.20	48.80	44.40	39.96
EDBRS3-5S	S4T-5.2Y	3	45	Q	-	26.46	22.11	18.27	14.88
				P	-	15.30	14.22	13.08	11.88
EDBRS3-8S	S4N-8.2Y	3	45	Q	-	36.72	30.74	25.44	20.76
				P	-	23.22	21.48	19.68	17.85
EDBRS3-12S	S4G-12.2Y	3	45	Q	-	55.53	47.55	40.08	33.21
				P	-	35.10	32.46	29.70	26.88
EDBRS3-16S	S6J-16.2Y	3	45	Q	-	77.87	66.96	56.70	47.25
				P	-	50.82	46.26	41.88	37.68
EDBRS3-20S	S6H-20.2Y	3	45	Q	-	89.70	77.22	65.40	54.54
				P	-	58.80	53.55	48.51	43.65
EDBRS3-25S	S6G-25.2Y	3	45	Q	-	102.33	88.14	74.70	62.40
				P	-	67.50	61.50	55.68	50.10

Capacity based on 20°C Suction Temperature with no Sub-Cooling (EDBRL2-5S to EDBRL6-44S)

Capacity based on 20°C Suction Temperature with Sub-Cooling (EDBRS2-5S to EDBRS6-30S)

Performance Data  
Semi Hermetic Rack System (Bitzer)  
Low Temperature

R404A/R507A  
50Hz




Model	Compressor Type	No. of Compressor	SCT (°C)	Refrigerating Capacity Q <sub>0</sub> (kW) Power Input P <sub>0</sub> (kW)					
				Evaporating Temperature °C					
				-20	-25	-30	-35	-40	
EDBRS3-30S	S6F-30.2Y	3	45	Q	-	121.23	104.43	88.50	74.10
				P	-	79.80	73.20	66.60	59.94
EDBRS4-5S	S4T-5.2Y	4	45	Q	-	35.28	29.48	24.36	19.84
				P	-	20.40	18.96	17.44	15.84
EDBRS4-8S	S4N-8.2Y	4	45	Q	-	48.96	40.98	33.92	27.68
				P	-	30.96	28.64	26.24	23.80
EDBRS4-12S	S4G-12.2Y	4	45	Q	-	74.04	63.40	53.44	44.28
				P	-	46.80	43.28	39.60	35.84
EDBRS4-16S	S6J-16.2Y	4	45	Q	-	103.82	89.28	75.60	63.00
				P	-	67.76	61.68	55.84	50.24
EDBRS4-20S	S6H-20.2Y	4	45	Q	-	119.60	102.96	87.20	72.72
				P	-	78.40	71.40	64.68	58.20
EDBRS4-25S	S6G-25.2Y	4	45	Q	-	136.44	117.52	99.60	83.20
				P	-	90.00	82.00	74.24	66.80
EDBRS4-30S	S6F-30.2Y	4	45	Q	-	161.64	139.24	118.00	98.80
				P	-	106.40	97.60	88.80	79.92
EDBRS5-5S	S4T-5.2Y	5	45	Q	-	44.10	36.85	30.45	24.80
				P	-	25.50	23.70	21.80	19.80
EDBRS5-8S	S4N-8.2Y	5	45	Q	-	61.20	51.23	42.40	34.60
				P	-	38.70	35.80	32.80	29.75
EDBRS5-12S	S4G-12.2Y	5	45	Q	-	92.55	79.25	66.80	55.35
				P	-	58.50	54.10	49.50	44.80
EDBRS5-16S	S6J-16.2Y	5	45	Q	-	129.78	111.60	94.50	78.75
				P	-	84.70	77.10	69.80	62.80
EDBRS5-20S	S6H-20.2Y	5	45	Q	-	149.50	128.70	109.00	90.90
				P	-	98.00	89.25	80.85	72.75
EDBRS5-25S	S6G-25.2Y	5	45	Q	-	170.55	146.90	124.50	104.00
				P	-	112.50	102.50	92.80	83.50
EDBRS5-30S	S6F-30.2Y	5	45	Q	-	202.05	174.05	147.50	123.50
				P	-	133.00	122.00	111.00	99.90
EDBRS6-5S	S4T-5.2Y	6	45	Q	-	52.92	44.22	36.54	29.76
				P	-	30.60	28.44	26.16	23.76
EDBRS6-8S	S4N-8.2Y	6	45	Q	-	73.44	61.47	50.88	41.52
				P	-	46.44	42.96	39.36	35.70
EDBRS6-12S	S4G-12.2Y	6	45	Q	-	111.06	95.10	80.16	66.42
				P	-	70.20	64.92	59.40	53.76
EDBRS6-16S	S6J-16.2Y	6	45	Q	-	155.73	133.92	113.40	94.50
				P	-	101.64	92.52	83.76	75.36
EDBRS6-20S	S6H-20.2Y	6	45	Q	-	179.40	154.44	130.80	109.08
				P	-	117.60	107.10	97.02	87.30
EDBRS6-25S	S6G-25.2Y	6	45	Q	-	204.66	176.28	149.40	124.80
				P	-	135.00	123.00	111.36	100.20
EDBRS6-30S	S6F-30.2Y	6	45	Q	-	242.46	208.86	177.00	148.20
				P	-	159.60	146.40	133.20	119.88

Capacity based on 20°C Suction Temperature with no Sub-Cooling (EDBRL2-5S to EDBRL6-44S)  
Capacity based on 20°C Suction Temperature with Sub-Cooling (EDBRS2-5S to EDBRS6-30S)

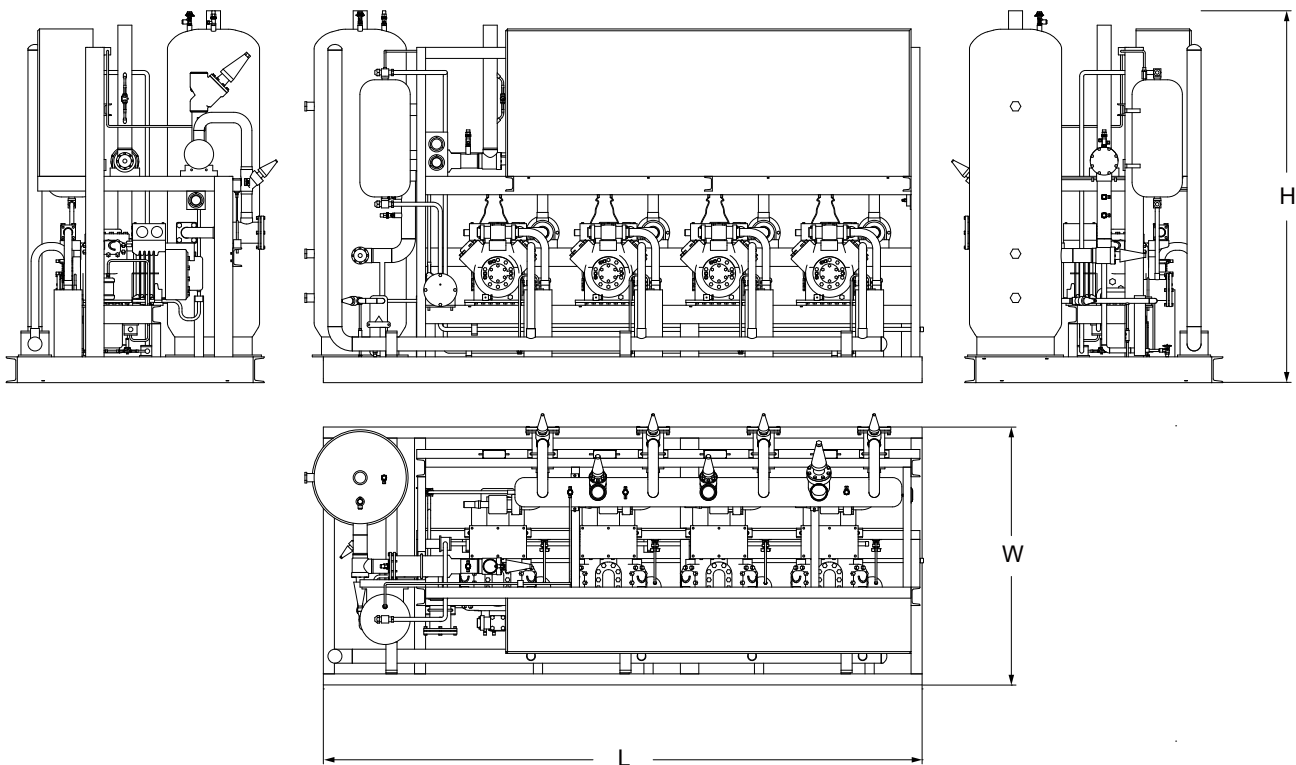
# Dimensions

## Semi Hermetic Rack System

No. of Compressors	Size(mm)						Weight (kg)*
	H	W	L	H*	W*	L*	
<b>Medium Temperature</b>							
2 Compressors	1750	1100	1700	1950	1300	1900	800
3 Compressors	1750	1100	2300	1950	1300	2500	1000
4 Compressors	1750	1100	3000	1950	1300	3200	1100
5 Compressors	1750	1100	3600	1950	1300	3800	1300
6 Compressors	1750	1100	4300	1950	1300	4500	1500
<b>Low Temperature</b>							
2 Compressors	1750	1100	2300	1950	1300	2500	850
3 Compressors	1750	1100	3100	1950	1300	3300	1060
4 Compressors	1750	1100	3600	1950	1300	3800	1160
5 Compressors	1750	1100	4200	1950	1300	4400	1370
6 Compressors	1750	1100	4900	1950	1300	5100	1570
<b>2 - Stage</b>							
2 Compressors	1750	1200	2300	1950	1400	2500	1000
3 Compressors	1750	1200	3100	1950	1400	3300	1250
4 Compressors	1750	1200	3600	1950	1400	3800	1400
5 Compressors	1750	1200	4200	1950	1400	4400	1550
6 Compressors	1750	1200	4900	1950	1400	5100	1700

\* Packed Dimensions / Weight

Note: The weights and dimensions of Eden Rack in the catalogue are purely for reference only. The actual weights and dimensions might be different due to design changes.



# Accessories

## Semi Hermetic Rack System

● Standard    △ Options

Model	2 Comp.	3 Comp.	4 Comp.	5 Comp.	6 Comp.
<b>Frame Structure</b>					
Frame Structure	●	●	●	●	●
<b>Oil System</b>					
Oil Separator	●	●	●	●	●
Oil Regulator Control	●	●	●	●	●
Oil Filter	●	●	●	●	●
Oil Sight Glass	●	●	●	●	●
Hand Valve	●	●	●	●	●
Oil Receiver	●	●	●	●	●
Check Valve	●	●	●	●	●
Individual Oil Gauge (for compressors with oil pump)	●	●	●	●	●
<b>Discharge Assembly</b>					
Discharge Valve	●	●	●	●	●
Discharge Pipe	●	●	●	●	●
Vibration Eliminators	●	●	●	●	●
Mufflers	△	△	△	△	△
<b>Liquid Assembly</b>					
Liquid Receiver with Sight Glass	●	●	●	●	●
Safety Valve	●	●	●	●	●
Liquid Level Alarm	△	△	△	△	△
Liquid Line Drier and Core	●	●	●	●	●
Moisture Indicator	●	●	●	●	●
Liquid Branches (same number of compressors)	△	△	△	△	△
Ball Valve (same number of compressors)	△	△	△	△	△
<b>Suction Assembly</b>					
Suction Filter	●	●	●	●	●
Suction Filter Core	●	●	●	●	●
Suction Accumulator	△	△	△	△	△
Insulation	●	●	●	●	●
Suction Branches (same number of compressors)	●	●	●	●	●
Ball Valve (same number of compressors)	●	●	●	●	●
<b>Safety Controls</b>					
High Pressure Switch	●	●	●	●	●
Low Pressure Switch	●	●	●	●	●
Compressor Protect	INT69VS	INT69VS	INT69VS	INT69VS	INT69VS
OLC Oil Level Switch	△	△	△	△	△
Oil Difference Pressure Switch ( for compressors with oil pump)	●	●	●	●	●
<b>Subcooling System (2 stage Rack)</b>					
Subcooler	●	●	●	●	●
Subcooling Filter	●	●	●	●	●
Subcolling Sight Glass	●	●	●	●	●
Subcooling System Solenoid Valve	●	●	●	●	●
TXV	●	●	●	●	●
<b>Others</b>					
Start Unloader	△	△	△	△	△
Capacity Regulator	△	△	△	△	△
Additional Head Fan	△	△	△	△	△
CIC	△	△	△	△	△

Performance Data  
Semi Hermetic Screw Rack System (Bitzer)  
Medium Temperature

R404A/R507A  
50Hz




Model	Compressor Type	No. of Compressor	SCT (°C)	Refrigerating Capacity Q <sub>0</sub> (kW) Power Input P <sub>0</sub> (kW)					
				Evaporating Temperature °C					
				5	0	-5	-10	-15	
EDBSM2-30S	HSK5343-30	2	40	Q	198.80	172.00	148.00	126.20	106.80
				P	50.60	50.20	50.00	49.80	49.40
EDBSM2-35S	HSK5353-35	2	40	Q	230.60	200.00	172.40	147.60	125.20
				P	58.60	58.40	58.00	57.80	57.40
EDBSM2-40S	HSK5363-40	2	40	Q	261.40	227.40	196.60	168.80	143.40
				P	66.00	65.40	65.00	64.80	64.40
EDBSM2-50S	HSK6451-50	2	40	Q	312.00	270.20	232.40	198.60	168.20
				P	72.80	72.80	73.00	73.20	73.20
EDBSM2-60S	HSK6461-60	2	40	Q	371.80	321.60	276.40	235.80	199.40
				P	93.60	92.60	91.60	90.60	89.60
EDBSM2-70S	HSK7451-70	2	40	Q	462.00	396.40	338.20	286.80	241.20
				P	103.40	105.60	107.40	109.00	110.20
EDBSM2-80S	HSK7461-80	2	40	Q	510.00	438.00	374.80	318.60	269.00
				P	119.00	119.00	119.00	118.80	118.60
EDBSM2-90S	HSK5471-90	2	40	Q	554.00	476.00	408.00	346.40	292.00
				P	136.80	134.60	132.60	130.60	129.00
EDBSM2-125S	HSK8561-125	2	40	Q	810.00	692.00	588.00	498.00	418.00
				P	196.80	197.40	198.20	199.20	200.20
EDBSM32-30S	HSK5343-30	3	40	Q	298.20	258.00	222.00	189.30	160.20
				P	75.90	75.30	75.00	74.70	74.10
EDBSM3-35S	HSK5353-35	3	40	Q	345.90	300.00	258.60	221.40	187.80
				P	87.90	87.60	87.00	86.70	86.10
EDBSM3-40S	HSK5363-40	3	40	Q	392.10	341.10	294.90	253.20	215.10
				P	99.00	98.10	97.50	97.20	96.60
EDBSM3-50S	HSK6451-50	3	40	Q	468.00	405.30	348.60	297.90	252.30
				P	109.20	109.20	109.50	109.80	109.80
EDBSM3-60S	HSK6461-60	3	40	Q	557.70	482.40	414.60	353.70	299.10
				P	140.40	138.90	137.40	135.90	134.40
EDBSM3-70S	HSK7451-70	3	40	Q	693.00	594.60	507.30	430.20	361.80
				P	155.10	158.40	161.10	163.50	165.30
EDBSM3-80S	HSK7461-80	3	40	Q	765.00	657.00	562.20	477.90	403.50
				P	178.50	178.50	178.50	178.20	177.90
EDBSM3-90S	HSK5471-90	3	40	Q	831.00	714.00	612.00	519.60	438.00
				P	205.20	201.90	198.90	195.90	193.50
EDBSM3-125S	HSK8561-125	3	40	Q	1215.00	1038.00	882.00	747.00	627.00
				P	295.20	296.10	297.30	298.80	300.30
EDBSM4-30S	HSK5343-30	4	40	Q	397.60	344.00	296.00	252.40	213.60
				P	101.20	100.40	100.00	99.60	98.80
EDBSM4-35S	HSK5353-35	4	40	Q	461.20	400.00	344.80	295.20	250.40
				P	117.20	116.80	116.00	115.60	114.80
EDBSM4-40S	HSK5363-40	4	40	Q	522.80	454.80	393.20	337.60	286.80
				P	132.00	130.80	130.00	129.60	128.80
EDBSM4-50S	HSK6451-50	4	40	Q	624.00	540.40	464.80	397.20	336.40
				P	145.60	145.60	146.00	146.40	146.40
EDBSM4-60S	HSK6461-60	4	40	Q	743.60	643.20	552.80	471.60	398.80
				P	187.20	185.20	183.20	181.20	179.20
EDBSM4-70S	HSK7451-70	4	40	Q	924.00	792.80	676.40	573.60	482.40
				P	206.80	211.20	214.80	218.00	220.40
EDBSM4-80S	HSK7461-80	4	40	Q	1020.00	876.00	749.60	637.20	538.00
				P	238.00	238.00	238.00	237.60	237.20
EDBSM4-90S	HSK5471-90	4	40	Q	1108.00	952.00	816.00	692.80	584.00
				P	273.60	269.20	265.20	261.20	258.00

Capacity based on 20°C Suction Temperature with no Sub-Cooling



Performance Data  
Semi Hermetic Screw Rack System (Bitzer)  
Medium Temperature

R404A/R507A  
50Hz




Model	Compressor Type	No. of Compressor	SCT (°C)	Refrigerating Capacity Q <sub>0</sub> (kW) Power Input P <sub>0</sub> (kW)					
				Evaporating Temperature °C					
				5	0	-5	-10	-15	
EDBSM4-125S	HSK8561-125	4	40	Q	1620.00	1384.00	1176.00	996.00	836.00
				P	393.60	394.80	396.40	398.40	400.40
EDBSM5-30S	HSK5343-30	5	40	Q	497.00	430.00	370.00	315.50	267.00
				P	126.50	125.50	125.00	124.50	123.50
EDBSM5-35S	HSK5353-35	5	40	Q	576.50	500.00	431.00	369.00	313.00
				P	146.50	146.00	145.00	144.50	143.50
EDBSM5-40S	HSK5363-40	5	40	Q	653.50	568.50	491.50	422.00	358.50
				P	165.00	163.50	162.50	162.00	161.00
EDBSM5-50S	HSK6451-50	5	40	Q	780.00	675.50	581.00	496.50	420.50
				P	182.00	182.00	182.50	183.00	183.00
EDBSM5-60S	HSK6461-60	5	40	Q	929.50	804.00	691.00	589.50	498.50
				P	234.00	231.50	229.00	226.50	224.00
EDBSM5-70S	HSK7451-70	5	40	Q	1155.00	991.00	845.50	717.00	603.00
				P	258.50	264.00	268.50	272.50	275.50
EDBSM5-80S	HSK7461-80	5	40	Q	1275.00	1095.00	937.00	796.50	672.50
				P	297.50	297.50	297.50	297.00	296.50
EDBSM5-90S	HSK5471-90	5	40	Q	1385.00	1190.00	1020.00	866.00	730.00
				P	342.00	336.50	331.50	326.50	322.50

Capacity based on 20°C Suction Temperature with no Sub-Cooling

Performance Data  
Semi Hermetic Screw Rack System (Bitzer)  
Medium Temperature

R134A  
50Hz




Model	Compressor Type	No. of Compressor	SCT (°C)	Refrigerating Capacity Q <sub>0</sub> (kW) Power Input P <sub>0</sub> (kW)					
				Evaporating Temperature °C					
				5	0	-5	-10	-15	
EDBSM2-30M	HSK5343-30	2	45	Q	122.40	103.60	87.00	72.00	59.00
				P	32.30	31.96	31.72	31.58	31.46
EDBSM2-35M	HSK5353-35	2	45	Q	146.00	123.60	103.80	86.20	70.60
				P	37.50	37.04	36.74	36.54	36.46
EDBSM2-40M	HSK5363-40	2	45	Q	166.80	142.00	119.80	100.00	82.60
				P	42.60	42.20	42.00	42.00	42.20
EDBSM2-50M	HSK6451-50	2	45	Q	194.60	164.40	137.40	113.60	92.60
				P	47.60	47.80	47.80	47.80	47.60
EDBSM2-60M	HSK6461-60	2	45	Q	231.20	195.60	164.20	136.20	111.60
				P	58.60	57.80	57.00	56.40	56.00
EDBSM2-70M	HSK7451-70	2	45	Q	283.60	238.20	198.20	163.20	132.40
				P	68.40	69.40	70.40	71.00	70.60
EDBSM2-80M	HSK7461-80	2	45	Q	318.40	267.80	223.40	198.40	150.40
				P	76.00	76.00	76.20	76.20	75.80
EDBSM2-90M	HSK5471-90	2	45	Q	345.00	291.20	243.80	202.00	165.40
				P	85.60	84.00	82.80	81.80	81.00
EDBSM2-125M	HSK8561-125	2	45	Q	498.00	420.00	350.40	289.80	237.00
				P	123.90	125.00	126.20	127.00	126.80
EDBSM3-30M	HSK5343-30	3	45	Q	183.60	155.40	130.50	108.00	88.50
				P	48.45	47.94	47.58	47.37	47.19
EDBSM3-35M	HSK5353-35	3	45	Q	219.00	185.40	155.70	129.30	105.90
				P	56.25	55.56	55.11	54.81	54.69
EDBSM3-40M	HSK5363-40	3	45	Q	250.20	213.00	179.70	150.00	123.90
				P	63.90	63.30	63.00	63.00	63.30
EDBSM3-50M	HSK6451-50	3	45	Q	291.90	246.60	206.10	170.40	138.90
				P	71.40	71.70	71.70	71.70	71.40
EDBSM2-60M	HSK6461-60	3	45	Q	346.80	293.40	246.30	204.30	167.40
				P	87.90	86.70	85.50	84.60	84.00
EDBSM3-70M	HSK7451-70	3	45	Q	425.40	357.30	297.30	244.80	198.60
				P	102.60	104.10	105.60	106.50	105.90
EDBSM3-80M	HSK7461-80	3	45	Q	477.60	401.70	335.10	297.60	225.60
				P	114.00	114.00	114.30	114.30	113.70
EDBSM3-90M	HSK5471-90	3	45	Q	517.50	436.80	365.70	303.00	248.10
				P	128.40	126.00	124.20	122.70	121.50
EDBSM3-125M	HSK8561-125	3	45	Q	747.00	630.00	525.60	434.70	355.50
				P	185.70	187.50	189.30	190.50	190.20
EDBSM4-30M	HSK5343-30	4	45	Q	244.80	207.20	174.00	144.00	118.00
				P	64.60	63.92	63.44	63.16	62.92
EDBSM4-35M	HSK5353-35	4	45	Q	292.00	247.20	207.60	172.40	141.20
				P	75.00	74.08	73.48	73.08	72.92
EDBSM4-40M	HSK5363-40	4	45	Q	333.60	284.00	239.60	200.00	165.20
				P	85.20	84.40	84.00	84.00	84.40
EDBSM4-50M	HSK6451-50	4	45	Q	389.20	328.80	274.80	227.20	185.20
				P	95.20	95.60	95.60	95.06	95.20
EDBSM4-60M	HSK6461-60	4	45	Q	462.40	391.20	328.40	272.40	223.20
				P	117.20	115.60	114.00	112.80	112.00
EDBSM4-70M	HSK7451-70	4	45	Q	567.20	476.40	396.40	326.40	264.80
				P	136.80	138.80	140.80	142.00	141.20
EDBSM4-80M	HSK7461-80	4	45	Q	636.80	535.60	446.80	396.80	300.80
				P	152.00	152.00	152.40	152.40	151.60
EDBSM4-90M	HSK5471-90	4	45	Q	690.00	582.40	487.60	404.00	330.80
				P	171.20	168.00	165.60	163.60	162.00

Capacity based on 20°C Suction Temperature with no Sub-Cooling

Performance Data  
Semi Hermetic Screw Rack System (Bitzer)  
Medium Temperature

R134A  
50Hz




Model	Compressor Type	No. of Compressor	SCT (°C)	Refrigerating Capacity Q <sub>0</sub> (kW) Power Input P <sub>0</sub> (kW)					
				Evaporating Temperature °C					
				5	0	-5	-10	-15	
EDB4M2-125M	HSK8561-125	4	45	Q	996.00	840.00	700.80	579.60	474.00
				P	247.60	250.00	252.40	254.00	253.60
EDBSM5-30M	HSK5343-30	5	45	Q	306.00	259.00	217.50	180.00	147.50
				P	80.75	79.90	79.30	78.95	78.65
EDBSM5-35M	HSK5353-35	5	45	Q	365.00	309.00	259.50	215.50	176.50
				P	93.75	92.60	91.85	91.35	91.15
EDBSM5-40M	HSK5363-40	5	45	Q	417.00	355.00	299.50	250.00	206.50
				P	106.50	105.50	105.00	105.00	105.50
EDBSM2-50M	HSK6451-50	5	45	Q	486.50	411.00	343.50	284.00	231.50
				P	119.00	119.50	119.50	119.50	119.00
EDBSM5-60M	HSK6461-60	5	45	Q	578.00	489.00	410.50	340.50	279.00
				P	146.50	144.50	142.50	141.00	140.00
EDBSM5-70M	HSK7451-70	5	45	Q	709.00	595.50	495.50	408.00	331.00
				P	171.00	173.50	176.00	177.50	176.50
EDBSM5-80M	HSK7461-80	5	45	Q	796.00	669.50	558.50	496.00	376.00
				P	190.00	190.00	190.50	190.50	189.50
EDBSM5-90M	HSK5471-90	5	45	Q	862.50	728.00	609.50	505.00	413.50
				P	214.00	210.00	207.00	204.50	202.50

Capacity based on 20°C Suction Temperature with no Sub-Cooling

Performance Data  
Semi Hermetic Screw Rack System (Bitzer)  
Low Temperature

R404A/R507A  
50Hz




Model	Compressor Type	No. of Compressor	SCT (°C)	Refrigerating Capacity Q <sub>0</sub> (kW) Power Input P <sub>0</sub> (kW)					
				Evaporating Temperature °C					
				-20	-25	-30	-35	-40	
EDBSL2-20S	HSN5343-20	2	45	Q	86.80	71.80	58.40	46.60	36.16
				P	57.60	56.00	54.00	51.60	49.00
EDBSL2-25S	HSN5353-25	2	45	Q	101.20	84.00	68.60	55.00	43.00
				P	65.20	63.20	61.00	58.60	55.60
EDBSL2-30S	HSN5363-30	2	45	Q	116.00	96.80	79.60	64.60	51.20
				P	73.80	71.60	69.20	66.40	63.40
EDBSL2-40S	HSN6451-40	2	45	Q	139.40	116.00	95.40	77.40	61.40
				P	82.00	79.80	77.20	74.60	71.60
EDBSL2-50S	HSN6461-50	2	45	Q	157.80	132.00	109.00	89.00	71.20
				P	98.40	94.60	90.60	86.80	83.00
EDBSL2-60S	HSN7451-60	2	45	Q	191.40	159.00	130.40	105.40	83.40
				P	116.80	114.20	111.80	109.40	106.80
EDBSL2-70S	HSN7461-70	2	45	Q	218.40	181.80	149.60	121.40	96.80
				P	126.40	122.80	119.00	115.20	111.20
EDBSL2-75S	HSN7471-75	2	45	Q	227.60	190.00	157.00	128.20	103.00
				P	139.60	134.00	128.40	123.00	118.20
EDBSL2-125S	HSN8571-125	2	45	Q	372.80	310.00	255.20	207.20	165.60
				P	220.60	210.20	201.00	192.40	184.40
EDBSL3-20S	HSN5343-20	3	45	Q	130.20	107.70	87.60	69.90	54.24
				P	86.40	84.00	81.00	77.40	73.50
EDBSL3-25S	HSN5353-25	3	45	Q	151.80	126.00	102.90	82.50	64.50
				P	97.80	94.80	91.50	87.90	83.40
EDBSL3-30S	HSN5363-30	3	45	Q	174.00	145.20	119.40	96.90	76.80
				P	110.70	107.40	103.80	99.60	95.10
EDBSL3-40S	HSN6451-40	3	45	Q	209.10	174.00	143.10	116.10	92.10
				P	123.00	119.70	115.80	111.90	107.40
EDBSL3-50S	HSN6461-50	3	45	Q	236.70	198.00	163.50	133.50	106.80
				P	147.60	141.90	135.90	130.20	124.50
EDBSL3-60S	HSN7451-60	3	45	Q	287.10	238.50	195.60	158.10	125.10
				P	175.20	171.30	167.70	164.10	160.20
EDBSL3-70S	HSN7461-70	3	45	Q	327.60	272.70	224.40	182.10	145.20
				P	189.60	184.20	178.50	172.80	166.80
EDBSL3-75S	HSN7471-75	3	45	Q	341.40	285.00	235.50	192.30	154.50
				P	209.40	201.00	192.60	184.50	177.30
EDBSL3-125S	HSN8571-125	3	45	Q	559.20	465.00	382.80	310.80	248.40
				P	330.90	315.30	301.50	288.60	276.60
EDBSL4-20S	HSN5343-20	4	45	Q	173.60	143.60	116.80	93.20	72.32
				P	115.20	112.00	108.00	103.20	98.00
EDBSL4-25S	HSN5353-25	4	45	Q	202.40	168.00	137.20	110.00	86.00
				P	130.40	126.40	122.00	117.20	111.20
EDBSL4-30S	HSN5363-30	4	45	Q	232.00	193.60	159.20	129.20	102.40
				P	147.60	143.20	138.40	132.80	126.80
EDBSL4-40S	HSN6451-40	4	45	Q	278.80	232.00	190.80	154.80	122.80
				P	164.00	159.60	154.40	149.20	143.20
EDBSL4-50S	HSN6461-50	4	45	Q	315.60	264.00	218.00	178.00	142.40
				P	196.80	189.20	181.20	173.60	166.00
EDBSL4-60S	HSN7451-60	4	45	Q	382.80	318.00	260.80	210.80	166.80
				P	233.60	228.40	223.60	218.80	213.60
EDBSL4-70S	HSN7461-70	4	45	Q	436.80	363.60	299.20	242.80	193.60
				P	252.80	245.60	238.00	230.40	222.40
EDBSL4-75S	HSN7471-75	4	45	Q	455.20	380.00	314.00	256.40	206.00
				P	279.20	268.00	256.80	246.00	236.40

Capacity based on 20°C Suction Temperature with no Sub-Cooling

Performance Data  
Semi Hermetic Screw Rack System (Bitzer)  
Low Temperature

R404A/R507A  
50Hz




Model	Compressor Type	No. of Compressor	SCT (°C)	Refrigerating Capacity Q <sub>0</sub> (kW) Power Input P <sub>0</sub> (kW)					
				Evaporating Temperature °C					
				-20	-25	-30	-35	-40	
EDBSL4-125S	HSN8571-125	4	45	Q	745.60	620.00	510.40	414.40	331.20
				P	441.20	420.40	402.00	384.80	368.80
EDBSL5-20S	HSN5343-20	5	45	Q	217.00	179.50	146.00	116.50	90.40
				P	144.00	140.00	135.00	129.00	122.50
EDBSL5-25S	HSN5353-25	5	45	Q	253.00	210.00	171.50	137.50	107.50
				P	163.00	158.00	152.50	146.50	139.00
EDBSL5-30S	HSN5363-30	5	45	Q	290.00	242.00	199.00	161.50	128.00
				P	184.50	179.00	173.00	166.00	158.50
EDBSL5-40S	HSN6451-40	5	45	Q	348.50	290.00	238.50	193.50	153.50
				P	205.00	199.50	193.00	186.50	179.00
EDBSL5-50S	HSN6461-50	5	45	Q	394.50	330.00	272.50	222.50	178.00
				P	246.00	236.50	226.50	217.00	207.50
EDBSL5-60S	HSN7451-60	5	45	Q	478.50	397.50	326.00	263.50	208.50
				P	292.00	285.50	279.50	273.50	267.00
EDBSL5-70S	HSN7461-70	5	45	Q	546.00	454.50	374.00	303.50	242.00
				P	316.00	307.00	297.50	288.00	278.00
EDBSL5-75S	HSN7471-75	5	45	Q	569.00	475.00	392.50	320.50	257.50
				P	349.00	335.00	321.00	307.50	295.50

Capacity based on 20°C Suction Temperature with no Sub-Cooling

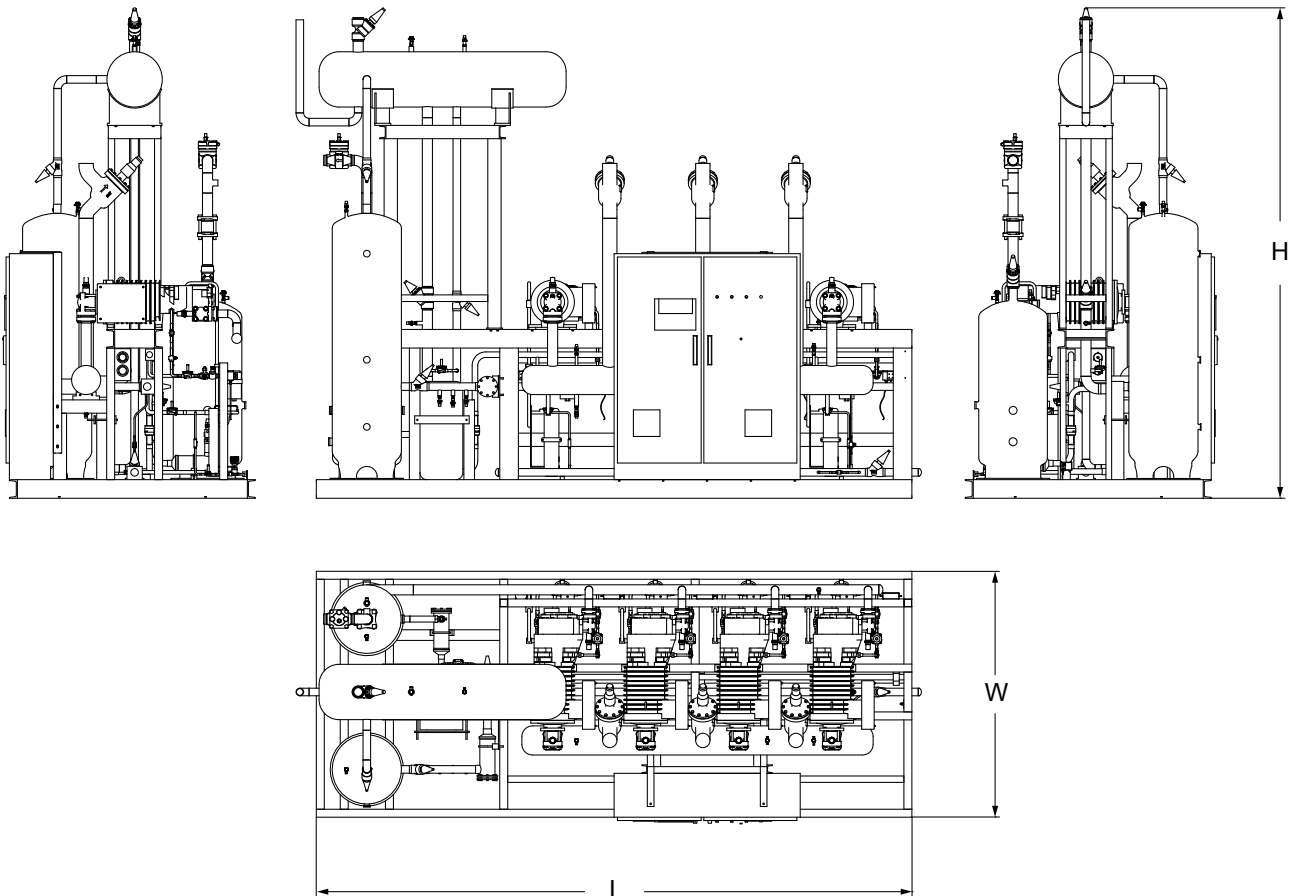
# Dimensions

## Semi Hermetic Screw Rack System

No. of Compressors	Size(mm)						Weight (kg)*
	H	W	L	H*	W*	L*	
<b>Medium Temperature</b>							
2 Compressors	1600	1600	3000	1800	1800	3200	1200
3 Compressors	1600	1600	3500	1800	1800	3700	1400
4 Compressors	1600	1600	4300	1800	1800	4500	1600
5 Compressors	1700	1650	5100	1900	1850	5300	1800
<b>Low Temperature</b>							
2 Compressors	1600	1600	3000	1800	1800	3200	1250
3 Compressors	1600	1600	3500	1800	1800	3700	1450
4 Compressors	1600	1600	4300	1800	1800	4500	1650
5 Compressors	1700	1650	5100	1900	1850	5300	1850

\* Packed Dimensions / Weight

Note: The weights and dimensions of Eden Rack in the catalogue are purely for reference only. The actual weights and dimensions might be different due to design changes.



# Accessories

## Semi Hermetic Screw Rack System

● Standard    △ Options

Model	2 Comp.	3 Comp.	4 Comp.	5 Comp.	6 Comp.
<b>Frame Structure</b>					
Frame Structure	●	●	●	●	●
<b>Oil System</b>					
Oil Separator with heater	●	●	●	●	●
Oil Level Controller	●	●	●	●	●
Stop/Check Valve	△	△	△	△	△
Ball Valve	●	●	●	●	●
Oil Filter	●	●	●	●	●
Oil Solenoid Valve	●	●	●	●	●
Flow Switch	●	●	●	●	●
Oil Sight Glass	●	●	●	●	●
Oil Temperature Controller	●	●	●	●	●
Oil Cooler	△	△	△	△	△
<b>Discharge Assembly</b>					
Discharge Valve	●	●	●	●	●
Discharge Pipe	●	●	●	●	●
Mufflers	●	●	●	●	●
<b>Liquid System</b>					
Liquid Receiver with Sight Glass	●	●	●	●	●
Liquid Level Alarm	△	△	△	△	△
Filter Drier with Core	●	●	●	●	●
Moisture Indicator	●	●	●	●	●
Liquid Branches (same number of compressors)	●	●	●	●	●
Ball Valve (same number of compressors)	●	●	●	●	●
Economizer	●	●	●	●	●
Solenoid Valve	△	△	△	△	△
Hand Valve	△	△	△	△	△
Expansion Valve	△	△	△	△	△
<b>Suction Assembly</b>					
Suction Filter	●	●	●	●	●
Filter Core	●	●	●	●	●
Suction Branches (same number of compressors)	●	●	●	●	●
Ball Valve (same number of compressors)	●	●	●	●	●
Insulation	●	●	●	●	●
<b>Protection</b>					
High Pressure Switch	●	●	●	●	●
Low Pressure Switch	●	●	●	●	●
Compressor Protection Devices	●	●	●	●	●

**EDEN**<sup>®</sup>  
*The Cool Solution*

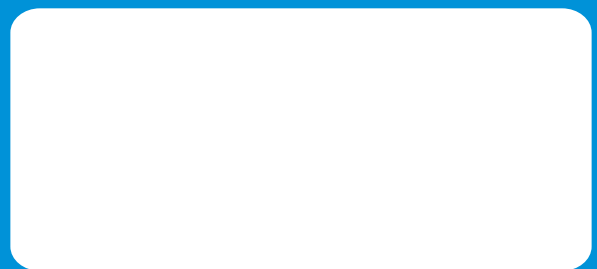






Visit Us:

**[www.edensolution.com](http://www.edensolution.com)**



Eden accepts no responsibility for possible errors in catalogues, brochures and other printed materials. Eden reserves the right to alter its products without notice. This includes products that have been ordered and such alterations can be made without prior notice.